

FEATURES

- Wide Bandwidth
- Low Power Consumption
- Low Noise Figure
- Miniature Sizes, Field Removable connector
- Compact/Rugged Thin-Film Construction



APPLICATIONS

- Microwave Radio & VSAT
- Military & Space
- Test Instrumentation
- Fiber Optics

SPECIFICATIONS@25°C:

Part Number	Frequency Range (GHz)	Gain (dB.Min)	Flatness (±dB.Max.)	N.F (dB.Max)	P1dB (dBm.min)	VSWR Max	Current@ 12-15 VDC (mA. Typ)	Case Type
MLB0101G3015	0.01-1.5	30	1 Typ	1.5	10	2:1	100	BH2
MLB0505G1220	0.05-0.5	12	/	2	15	/	150	BH2
MLB0501G3015	0.05-1.5	30	1(Typ)	1.5	15	2:1	100	BH2
MLB0105G3011	0.1-0.5	30	0.6	1.1	10	1.8:1	120	BH2
MLB0105G3012	0.1-0.5	30	0.6	1.2	10	1.8:1	120	BH2
MLB0201G3540	0.1-2	35	2	4	10	2:1	250	DH4
MLB0601G2835	0.1-6	28	1.25	3.5	10	2: 1	190	BH2
MLB0601G3835	0.1-6	38	2.5(typ)	3.5	20	2.5:1	120	PM58
MLB1801G1050	0.1-18	10	2	5	10	2:1	150	BH2
MLB1801G3040	0.1-18	30	2	4	8	2.5:1	135	BH36
MLB1801G3045L01	0.1-18	30	2.5	4.5	8	2.5:1	135	BH36
MLB0120G3040	0.1-20	30	2(Typ.)	4(Typ.)	13	2:1(Typ.)	220	BH23
MLB4001G2860	0.1-40	28	3(Typ.)	6(Typ.)	19(Typ.)	2.5:1(Typ.)	400	BH23
MLB0604G3025	0.4-0.6	30	1.25	2.5	10	2:1	190	BH2
MLB0501G1416	0.5-1	14	0.5	1.6	10	2:1	120	BH2/BH3
MLB0501G2416	0.5-1	24	0.5	1.6	10	2:1	120	BH2/BH3
MLB0501G2625	0.5-1	26	0.5	2.5	14	2:1	120	BH2/BH3
MLB0501G2807	0.5-1	28	1.5	0.7	10	2:1	120	BH2/BH3
MLB0501G3015	0.5-1	30	1	1.5	10	2:1	120	BH2/BH3
MLB0501G3010	0.5-1	30	1.25	1	12	2:1	120	BH2/BH3
MLB0501G3215	0.5-1	32	1	1.5	14	2:1	120	BH2/BH3
MLB0501G3207	0.5-1	32	1.5	0.7	12	2:1	100	BH2/BH3
MLB0502G1114	0.5-2	11	1.5	1.4	10	2:1	100	BH2
MLB0502G1530L01	0.5-2	15	1.5	3	12	2:1	100	DH11



WIDE BAND LOW NOISE AMPLIFIER

Part Number	Frequency Range (GHz)	Gain (dB.Min)	Flatness (\pm dB.Max.)	N.F (dB.Max)	P1dB (dBm.min)	VSWR Max	Current@ 12-15 VDC (mA. Typ)	Case Type
MLB0502G2025	0.5-2	20	1	2.5	15	1.6:1	100	BH2/BH3
MLB0502G2035	0.5-2	20	2	3.5(Typ.)	18	2:1	220	BH2
MLB0502G2121	0.5-2	21	1.25	2.1	18	2:1	100	BH2/BH3
MLB0502G2245	0.5-2	22	1.5(Typ.)	4.5(Typ.)	12(Typ.)	2:2	5V/200mA	BH23
MLB0502G2318	0.5-2	23	1.5	1.8	12	2:1	100	BH2/BH3
MLB0502G2435	0.5-2	24	1.25	3.5	20	2:1	100	BH2/BH3
MLB0502G2809	0.5-2	28	2	0.9	10	2:1	100	BH2/BH3
MLB0502G3013	0.5-2	30	1.5	1.3	14	2:1	100	BH2/BH3
MLB0502G3025	0.5-2	30	1	2.5	15	1.6:1	100	BH2
MLB0502G3325	0.5-2	33	1	2.5	15	1.6:1	120	BH2/BH3
MLB0502G3008	0.5-2	30	1.5	0.9	10	2:1	120	BH2
MLB0502G3135	0.5-2	31	1.25	3.5	20	2:1	100	DH4
MLB0502G3220	0.5-2	32	1.25	2	15	2:1	100	BH2/BH3
MLB0502G3215	0.5-2	32	1.5	1.5	14	2:1	100	BH2/BH3
MLB0502G3417	0.5-2	34	1.5	1.7	18	2:1	100	BH2/BH3
MLB0502G3612	0.5-2	36	2	1.2	10	2:1	100	BH4
MLB0502G3830	0.5-2	38	1.25	3	15	2:1	100	BH2/BH3
MLB0502G4035	0.5-2	40	1.25	3.5	20	2:1	100	BH3
MLB0502G4513	0.5-2	45	1.5	1.3	10	2:1	200	BH4
MLB0502G4535	0.5-2	45	1.25	3.5	20	2:1	100	BH3
MLB0502G5020	0.5-2	50	1	2	12	2:1	300	BH2/BH3
MLB0502G6350L01	0.5-2	63	/	5	/	2:1	100	DH12
MLB0502G2050	0.5-2.5	20-22	0.75	5	13	1.5:2	150	BH2/BH3
MLB0205G2930	0.5-2.5	29-31	0.5	3	10	1.5:2	150	BH2/BH3
MLB0503G2520	0.5-3	25	1.25	2	12	2:1	180	BH28
MLB0503G2022	0.5-3	20 \pm 1	1.5	2.2	7	2:1	100	BH2/BH3
MLB0503G2030	0.5-3	20	1.25	3	12	2:1	100	BH2/BH3
MLB0504G3530	0.5-4	35	2	3	15	2:1	100	BH2
MLB1805G0755	0.5-18	7 \pm 1.5	/	5.5	/	2.5:1	150	BH3
MLB1805G0730	0.5-18	7	0.75	3	0	2:1	150	BH2
MLB1805G1390	.5-18	13	1.5	9	-6	2:1	165	BH57
MLB1805G2040	0.5-18	20	2	4	10	2:1	180	BH2
MLB1805G3035	0.5-18	30	2	3.5	10	2.2:1	220	BH3
MLB0518G3045	0.5-18	30	2	4.5	10	2.2:1	150	BH3



WIDE BAND LOW NOISE AMPLIFIER

Part Number	Frequency Range (GHz)	Gain (dB.Min)	Flatness (\pm dB.Max.)	N.F (dB.Max)	P1dB (dBm.min)	VSWR Max	Current@ 12-15 VDC (mA. Typ)	Case Type
MLB1805G1390	0.5-18	13	1.5	9	-6	2:1	165	BH57
MLB1805G2040	0.5-18	20	2	4	10	2:1	180	BH2
MLB0518G2425	0.5-18	24.5-27.5	1.5	2.5(Typ)	6	2:1(Typ)	150	BH68
MLB0518C2425	0.5-18	24.5-27.5	1.5	2.5(Typ)	6	2.1(Typ.)	150	BH69
MLB1805G3035	0.5-18	30	2	3.5	10	2.2:1	220	BH3
MLB0518G3045	0.5-18	30	2	4.5	10	2.2:1	150	BH3
MLB2005G2235	0.5-20	22	1.5(Typ.)	3.5(Typ.)	12(Typ.)	2:1	5V/200mA	BH23
MLB2005G3035	0.5-20	30	1.5(Typ.)	3.5(Typ.)	12(Typ.)	2:1	5V/200mA	BH23
MLB0806G2040	0.8-6	20-30	2.5	4	20	2:1	450	BH2/BH3
MLB0806G2815	0.8-6	28	2	1.5	10	2:1	220	BH2
MLB0806G3540	0.8-6	35	2.5	4	20	2:1	280	BH2/BH3
MLB0806G3615	0.8-6	36	2	1.5	10	2:1	220	BH3
MLB0102G1530	1-2	15	0.8(Typ)	3	15	1.6:1	80	BH2
MLB0102G2009	1-2	20	1	0.9	6	2:1	150	BH2
MLB0102G2420	1-2	24	1	2	12	2:1	100	BH2/BH3
MLB0102G2617	1-2	26	1.75	1.7	10	2:1	100	BH2/BH3
MLB0102G2612	1-2	26	2	1.2	10	2:1	120	BH2/BH3
MLB0102G2825	1-2	28	1	2.5	18	2:1	200	BH2/BH3
MLB0102G2806	1-2	28	1.5	0.6	10	2:1	150	BH2/BH3
MLB0102G3010	1-2	30	1	1	12	2:1	100	BH2/BH3
MLB0102G3008	1.1-2.3	30	1	0.8	8	2:1	120	BH2/BH19
MLB0102G3009	1.1-2.3	30	1.5	0.9	5 (max)	2:1	120	BH19
MLB0102G3109	1-2	31	2	0.9	10	2:1	120	BH2
MLB0102G3212	1-2	32	1	1.2	10	2:1	100	BH33
MLB0102G3225	1-2	32	1	2.5	12	2:1	100	BH2/BH3
MLB0102G3409	1-2	34	1.5	0.9	10	2:1	130	BH2/BH3
MLB0102G3520	1-2	35	1	2	12	2:1	200	BH3
MLB0102G3815	1-2	38	1.75	1.5	10	2:1	130	BH2/BH3
MLB0102G4022	1-2	40	0.75	2.2	10	2:1	180	BH3
MLB0102G4130	1-2	41	1	3	18	2:1	100	BH2/BH3
MLB0102G4230	1-2	42	1.25	3	12	2:1	100	BH2/BH3
MLB0103G2811	1-3	28	1.5	1.1	8	2.5:1	150	BH2/BH3
MLB0103G5314	1-3	53(max)	1.25	1.4	11	1.7/1.5	170	BH16
MLB0103G4030	1-3.2	40	1.5	30	10	1.4:1.4	250	BH3
MLB0104G2016	1-4	20	1.25	1.6	10	2:1	120	BH2/BH3



WIDE BAND LOW NOISE AMPLIFIER

Part Number	Frequency Range (GHz)	Gain (dB.Min)	Flatness (\pm dB.Max.)	N.F (dB.Max)	P1dB (dBm.min)	VSWR Max	Current@ 12-15 VDC (mA. Typ)	Case Type
MLB0104G2613	1-4	26	2	1.3	10	2:1	120	BH2/BH3
MLB0104G2810	1-4	28	1.5	1	10	2:1	120	BH2/BH3
MLB0104G3014	1-4	30	1.5	1.4	12	2:1	120	BH2/BH3
MLB0104G3515	1-4	35-40	/	1.5	10	2:1	120	BH3
MLB0104G5314	1-4	53(Max)	1.25(Typ)	1.4	11(Typ)	1.7/1.5	170	BH16
MLB0106G3013	1-6	30	1.5	1.3	10	2:1	150	BH2/BH3
MLB0118G1540	1-18	15	1.2(Typ)	4	12	2:1	80	BH2
MLB0118G1550	1-18	15	2	5	3	2:1	300	BH2
MLB0118G1560	1-18	15	1.5	6	15	2:1	150	BH2/BH3
MLB0118G2045	1-18	20-27	2	4.5	10	2.2:1	120	BH2
MLB0118G2532	1-18	25	2(Typ)	3.2	10	2.2:1	120	BH2
MLB0118G3035	1-18	30	1.5	3.5	10	2:1	200	BH3
MLB0118G3040	1-18	30	2.5	4	12	2:1	50	BH2/BH3
MLB0118G3640	1-18	36-45	2.5	4	9	2.5:1	350	BH3
MLB0119G2050	1-19	20-27	2	5	10	2.2:1	120	BH2
MLB0120G4040	1-20	40	2 Typ	4	13	2:1(Typ.)	300	BH3
MLB0120G4045	1-20	40	3	4.5	13	2:1(Typ.)	300	BH23
MLB0140G4055	1-40	40	3.5	5.5(Typ.)	13	2:1(Typ.)	600	BH23
MLB0150G2565	1-50	25(Typ)	2.5(Typ)	6.5(Typ)	/	2:1	30	BH23
MLB0201G3010	1.2-2.4	30-40	1(Typ.)	1	+10	1.75:1	200	BH2
MLB0103G1010	1.6-3.1	10	1 Typ	1	18	2:1	80	BH2
MLB0202G5015	2.17-2.65	50	1.5	1.5	10	2:1	400	BH2/BH3
MLB0203G1020	2-3	10	0.5	2	12	2:1	120	BH2/BH3
MLB0203G2020	2-3	20	0.5	2	12	2:1	120	BH2/BH3
MLB0203G3520	2-3	35	0.75	2	12	2:1	120	BH2/BH3
MLB0204G2325	2-4	23	1	2.5	18	2:1	240	BH2
MLB0204G2420	2-4	24	1	2	12	2:1	125	BH2/BH3
MLB0204G2535	2-4	25	1	3.5	15	2:1	150	BH2
MLB0204G2618	2-4	26	1	1.8	10	2:1	120	BH2/BH3
MLB0204G2810	2-4	28	1	1	10	2:1	125	BH12
MLB0204G2807	2-4	28	1.5	0.7	10	2:1	120	BH2/BH3
MLB0204G2925	2-4	29	1.25	2.5	18	2:1	120	BH2/BH3
MLB0204G3010	2-4	30	1	1	12	2:1	100	BH2/BH3
MLB0204G3014	2-4	30	2	1.4	12	2:1	120	BH2/BH3
MLB0204G3207	2-4	32	1	0.7	10	2:1	150	BH2/BH3



WIDE BAND LOW NOISE AMPLIFIER

Part Number	Frequency Range (GHz)	Gain (dB.Min)	Flatness (\pm dB.Max.)	N.F (dB.Max)	P1dB (dBm.min)	VSWR Max	Current@ 12-15 VDC (mA. Typ)	Case Type
MLB0204G3208	2-4	32	1	0.8	10	2:1	125	BH2
MLB0204G3212	2-4	32	1.5	1.2	14	2:1	120	BH2/BH3
MLB0204G3508	2-4	35	1.5	0.8	10	2:1	150	BH2/BH3
MLB0204G3520	2-4	35	1	2	12	2:1	200	BH3
MLB0204G3925	2-4	39	1.5	2.5	18	2:1	120	BH2/BH3
MLB0204G4009	2-4	40	1 Typ	0.9	14	/	200	BH3
MLB0204G4020	2-4	40	1.25	2	15	2:1	120	BH4
MLB0204G4513	2-4	45	1	1.3	5	1.8:1	90mA	BH2
MLB0204N6013	2-4	60	1	1.3	5	1.8:1	120	BH41
MLB0206G0935	2-6	9-12	1.5	3.5	12	2:1	200	BH2/BH3
MLB0206G1530	2-6	15-17	1.5	3	13	2:1	300	BH2
MLB0206G1830	2-6	18-22	1.5	3	17	2:1	100	BH2
MLB0206G1940	2-6	18	1	5	10	2:1	200	BH2/BH3
MLB0206G1940	2-6	19-21	1.5	4	13	2:1	5V/200mA	BH23
MLB0206G2235	2-6	22	1.5(Typ.)	3.5(Typ.)	12(Typ.)	2:12	120	BH2
MLB0206G2335	2-6	23	1	3.5	18	2:1	120	BH2
MLB0206G2420	2-6	24	1	2	12	2:1	120	BH2
MLB0206G2615	2-6	26	1	1.5	10	2:1	120	BH2/BH3
MLB0206G2815	2-6	28	2	1.5	10	2:1	120	BH2/BH3
MLB0206G2935	2-6	29	1.5	3.5	18	2:1	120	BH2/BH3
MLB0206G3025	2-6	30	1.5	2.5	12	2:1	120	BH2/BH3
MLB0206G3018	2-6	30	2	1.8	12	2:1	120	BH2/BH3
MLB0206G3030	2-6	30	1.5	3	0	1.5:1	120	BH2
MLB0206G3214	2-6	32	1.5	1.4	14	2:1	120	BH3
MLB0206G3920	2-6	39	2	2	18	2:1	150	BH4
MLB0206G4009	2-6	40	1 Typ	0.9	14	/	200	BH3
MLB0206G4026	2-6	40	1.5	2.6	15	1.8:1	150	BH4
MLB0206G4030	2-6	40	2	3	12	2:1	150	BH4
MLB0207G2930	2-7	29-31	1	3	10	1.5:2	150	BH2/BH3
MLB0208G1625	2-8	16	1.5	2.5	10	2:1	150	BH2
MLB0208G1425	2-8	14	1.5	2.5	10	2:1	120	BH2
MLB0208G1525	2-8	15-17	1	2.5	8	2:1	150	BH2/BH3
MLB0208G1820	2-8	18-24	1.5	2	13	2:1	250	BH2



WIDE BAND LOW NOISE AMPLIFIER

Part Number	Frequency Range (GHz)	Gain (dB.Min)	Flatness (\pm dB.Max.)	N.F (dB.Max)	P1dB (dBm.min)	VSWR Max	Current@ 12-15 VDC (mA. Typ)	Case Type
MLB0208G2119	2-8	21	1	1.9	18	2:1	120	BH2/BH3
MLB0208G2145	2-8	21-23	1	4.5	16	2:1	180	BH32
MLB0208G2235	2-8	22	1	3.5	12	2:1	120	BH2/BH3
MLB0208G2417	2-8	24	1.5	1.7	15	2:1	120	BH2/BH3
MLB0208G2525	2-8	25	1.5	2.5	18	2:1	120	BH2/BH3
MLB0208G2815	2-8	28	2	1.5	10	2:1	120	BH2/BH3
MLB0208G2930	2-8	29	1.5	3	15	2:1	100	BH2/BH3
MLB0208G2913	2-8	29	2	1.3	10	2:1	120	BH2/BH3
MLB0208G3015	2-8	30	1.5	1.5	10	2:1	150	BH2/BH3
MLB0208G3030	2-8	30	1	3	10	1.8:1	150	BH2
MLB0208G3315	2-8	33	1.5	1.5	12	2:1	150	BH2/BH3
MLB0208G3020	2-8	30	1.5	2	15	2:1	280	BH2
MLB0208G3220	2-8	32	1.5	2	20	2:1	120	BH2/BH3
MLB0208G3216	2-8	32	2.5	1.6	12	2:1	120	BH2/BH3
MLB0208G3620	2-8	36	2	2	14	2:1	120	BH2/BH3
MLB0208G3920	2-8	39	2	2	18	2:1	120	BH2/BH3
MLB0208G4035	2-8	40	2	3.5	12	2:1	120	BH2/BH3
MLB0208G4220	2-8	42	2	2	15	2:1	120	BH2/BH3
MLB0208G4230	2-8	42	1.5	3	20	2:1	120	BH2/BH3
MLB0208G4530	2-8	45	1.5	3	20	2:1	120	BH2/BH3
MLB0210G2045	2-10	20	2	4.5	12	2:1	120	BH2/BH3
MLB0210G2047	2-10	20	2	4.7	18	2:1	120	BH2/BH3
MLB0210G2825	2-10	28	2.5	2.5	10	2:1	120	BH2
MLB0210G3045	2-10	30	2.5	4.5	12	2:1	120	BH2/BH3
MLB0210G3047	2-10	30	2.5	4.7	18	2:1	120	BH2/BH3
MLB0210G3220	2-10	32	2.5	2	12	2:0	120	BH2/BH3
MLB0210G3625	2-10	36	2	2.5	14	2:1	120	BH2/BH3
MLB0212G1855	2-12	18	2.5	5.5	18	2:1	120	BH2/BH3
MLB0212G1950	2-12	19	2	5	12	2:1	120	BH2/BH3
MLB0212G2655	2-12	26	2.5	5.5	18	2:1	120	BH2/BH3
MLB0212G2750	2-12	27	2	5	12	2:1	120	BH2/BH3
MLB0212G2830	2-12	28	2.5	3	10	2:1	120	BH2/BH3
MLB0212G3030	2-12	30	2	3	12	2:1	120	BH2/BH3



WIDE BAND LOW NOISE AMPLIFIER

Part Number	Frequency Range (GHz)	Gain (dB.Min)	Flatness (\pm dB.Max.)	N.F (dB.Max)	P1dB (dBm.min)	VSWR Max	Current@ 12-15 VDC (mA. Typ)	Case Type
MLB0212G3250	2-12	32	2	5	14	2:1	120	BH2/BH3
MLB0212G3555	2-12	35	2.5	5.5	18	2:1	120	BH2/BH3
MLB0212G3650	2-12	36	2.5	5	12	2:1	120	BH2/BH3
MLB0218G0745	2-18	7	1.5	4.5	8	2:1	120	BH2/BH3
MLB0218G1050	2-18	10	2	5	11	2:1	150	BH2
MLB0218G1235	2-18	12	1.8	3.5	12	1.6:1	150	BH2
MLB0218E1436	2-18	14	1.5	3.6	6	2:1	150	BH59
MLB0218G1445	2-18	14	1.5	4.5	9	2:01	120	BH2/BH3
MLB0218G1736	2-18	17	1.5	3.6	9	2:1	150	BH59
MLB0218G1535	2-18	15	2	3.5	15	2:1	100	BH2
MLB0218G1730	2-18	17	1.75	3	17	2:1	240	BH3
MLB0218G1750	2-18	17	2	5	12	2.2:1	200	BH2
MLB0218G1760	2-18	17	2.5	6	15	2.3:1	100	BH2
MLB0218G1860	2-18	18	2.5	6	12	2.3:1	100	BH2
MLB0218G2035	2-18	20	2.5(Typ)	3.5	10	2.2:1	200	BH2
MLB0218G2036	2-18	20	2.5	3.6	15	2:1	180	BH2
MLB0218G2535	2-18	25	2.5	3.5	15	2:1	180	BH2/BH3
MLB0218G2335	2-18	23	2	3.5	10	2:1	120	BH2
MLB0218G2040	2-18	20	2	4(Typ.)	15	2:1	220	BH2
MLB0218G2045	2-18	20	2	4.5	18	2:1	120	BH2/BH3
MLB0218G2035	2-18	20	2.5	3.5	10	2:1	120	BH2/BH3
MLB0218G2135	2-18	21	1.5	3.5	10	2:1	150	BH2
MLB0218G2045	2-18	20-27	2	4.5	10	2.2:1	120	BH2
MLB0218G2235	2-18	22	2	3.5	8	2:1	100	BH2/BH3
MLB0218G2360	2-18	23	2	6	15	2.3:1	100	BH2/BH3
MLB0218G2460	2-18	24	3	6	12	2.3:1	100	BH2/BH3
MLB0218G2535	2-18	25	2.5	3.5	15	2:1	180	BH2
MLB0218G2545	2-18	25	1.5	4.5	16	2:1	170	BH2/BH3
MLB0218G2840	2-18	28	3	4	10	2.3:1	120	BH2
MLB0218G2850	2-18	28	2	5	10	2.2:1	200	BH3
MLB0218G2960	2-18	29	2.5	6	15	2.3:1	100	BH2/BH3
MLB0218G3028	2-18	30	1.8	2.8	10	2:1	120	BH2/BH3
MLB0218G3030	2-18	30	2(Typ)	3	13(Typ)	1.5:1(Typ)	200	BH23
MLB0218G3035	2-18	30	2.5	3.5	15	2:1	240	BH3



WIDE BAND LOW NOISE AMPLIFIER

Part Number	Frequency Range (GHz)	Gain (dB.Min)	Flatness (\pm dB.Max.)	N.F (dB.Max)	P1dB (dBm.min)	VSWR Max	Current@ 12-15 VDC (mA. Typ)	Case Type
MLB0218G3036	2-18	30	1.8	3.5	10	2:1	120	BH2
MLB0218G3060	2-18	30	3.5	6	12	2.3:1	100	BH2/BH3
MLB0218G3145	2-18	31	2	4.5	15	2.2:1	100	BH2
MLB0218G3155	2-18	31-38	2.5	5.5	10	2.5:1	230	BH3
MLB0218G3235	2-18	32	2.5	3.5	12	2:1	180	BH2
MLB0218G3530	2-18	35	2(Typ.)	3(Typ.)	17(Typ.)	2:1(Typ.)	200	BH73
MLB0218G3560	2-18	35	3.75	6	12	2.3:1	100	BH2/BH3
MLB0218G4025	2-18	40	1.75(Typ.)	2.5	10	2:1	300	BH3
MLB0218G4028	2-18	40	2(Typ)	2.8	10	2:1	300	BH4
MLB0218G4032	2-18	40	2(Typ)	3.2	15	2.3:1(Typ)	450	BH66
MLB0218G4035	2-18	40	2.5	3.5	10	2.5:1	300	BH4
MLB0218G5050	2-18	50	3	5	10	2:1	200	BH6
MLB0218G5035	2-18	50	2.5	3.5	10	2.2:1	360	DH6
MLB0240G2650	2-40	26	2.5(Typ)	5(Typ)	12	2.5:1(Typ)	800	BH23
MLB0618G1540	6-18	15-17	1.5	4	13	2:1	200	BH2/BH3
MLB0305G2035	3-5	20	1	3.5	10	1.5:1	80	BH2/BH3
MLB0305G3020	3-5	30	0.75	2	12	1.6:1	150	BH2
MLB0305G3025	3-5	30	1.5	2.5	15	2:1	150	BH2
MLB0304G5011	3.4-4.8	50	1	1.1	10	2:1	400	BH4
MLB0314G1835	3.7-14.5	18	2	3.5	9	2:1	120	BH2/BH3
MLB0314G1830	3.7-14.5	18	2.5	3	10	2:1	120	BH2/BH3
MLB0314G1940	3.7-14.5	19	2	4	18	2:1	120	BH2/BH3
MLB0314G2040	3.7-14.5	20	2	4	12	2:1	120	BH2/BH3
MLB0314G2430	3.7-14.5	24	2.5	3	12	2:1	120	BH2/BH3
MLB0314G2940	3.7-14.5	29	2.5	4	18	2:1	120	BH2/BH3
MLB0314G3040	3.7-14.5	30	2.5	4	12	2:1	120	BH2/BH3
MLB0314G3940	3.7-14.5	39	3	4	18	2:1	120	BH2/BH3
MLB0314G4040	3.7-14.5	40	3	4	12	2:1	120	BH2/BH3
MLB0312G3625	3.8-12.75	36	2.5(Typ)	2.5	10(Typ)	/	300	BH3
MLB0406G0860	4-6	8-10	1	6	18	2:1	120	BH2
MLB0406G3025	4-6	30	1	2.5	10	2:1	120	BH2
MLB0408G2015	4-8	20	1	1.5	12	2:1	120	BH2/BH3
MLB0408G2115	4-8	21	1.5	1.5	8	2.2:1	110	BH2/BH3
MLB0408G2330	4-8	23	1	3	18	2:1	110	BH2/BH3
MLB0408G2430	4-8	24	1	3	12	2:1	110	BH2/BH3
MLB0408G2530	4-8	25	1	3	15	2:1	120	BH2



WIDE BAND LOW NOISE AMPLIFIER

Part Number	Frequency Range (GHz)	Gain (dB.Min)	Flatness (\pm dB.Max.)	N.F (dB.Max)	P1dB (dBm.min)	VSWR Max	Current@ 12-15 VDC (mA. Typ)	Case Type
MLB0408G2811	4-8	28	1.5	1.1	9	2:1	110	BH2
MLB0408G2812	4-8	28	1.75	1.2	14	2:1	200	DH4
MLB0408G2912	4-8	29	1.5	1.2	10	2:1	120	BH2/BH3
MLB0408G2915	4-8	29	1.5	1.5	15	2.2:1	110	BH2
MLB0408G3010	4-8	30	1.5	1	10	2:1	110	BH3
MLB0408G3012	4-8	30	1	1.2	12	2:1	120	BH3
MLB0408G3014	4-8	30	1	1.4	14	2:1	110	BH2/BH3
MLB0408G3015	4-8	30	1.5	1.5	15	2:1	110	BH3
MLB0408G3025	4-8	30	1.5	2.5	18	2:1	110	BH2
MLB0408G3312	4-8	33	1.5	1.2	10	2:1	150	BH2/BH3
MLB0408G3130	4-8	31	1.5	3	18	2:1	110	BH2/BH3
MLB0408G3218	4-8	32	1	1.8	12	2:1	110	BH2/BH3
MLB0408G3230	4-8	32	1.5	3	12	2:1	110	BH2/BH3
MLB0408G3711	4-8	37	1	1.1	10	2:1	125	BH2
MLB0408G3713	4-8	37	1.25	1.3	10	2:1	110	BH2/BH3
MLB0408G3930	4-8	39	1.5	3	18	2:1	110	BH2/BH3
MLB0408G4030	4-8	40	1.5	3	12	2:1	110	BH3
MLB0410G1025	4-10.5	10	1.5	2.5	8	2:1	75	BH2/BH3
MLB0410G1820	4-10.5	18	1.5	2	9	2:1	120	BH2/BH3
MLB0410G1925	4-10.5	19	1.5	2.5	10	2:1	140	BH2/BH3
MLB0410G2030	4-10.5	20	1.5	3	14	2:1	120	BH2/BH3
MLB0410G2240	4-10.5	22	1.25	4	18	2:1	120	BH2/BH3
MLB0410G2340	4-10.5	23	1.25	4	12	2:1	120	BH2/BH3



WIDE BAND LOW NOISE AMPLIFIER

Part Number	Frequency Range (GHz)	Gain (dB.Min)	Flatness (\pm dB.Max.)	N.F (dB.Max)	P1dB (dBm.min)	VSWR Max	Current@ 12-15 VDC (mA. Typ)	Case Type
MLB0410G2825	4-10.5	28	2	2.5	10	2:1	120	BH2/BH3
MLB0410G3015	4-10.5	30	1.5	1.5	10	2:1	110	BH2/BH3
MLB0410G3340	4-10.5	33	1.25	4	18	2:1	120	BH2/BH3
MLB0410G3440	4-10.5	34	1.5	4	12	2:1	120	BH2/BH3
MLB0410G4325	4-10.5	43	1.5	2.5	15	2:1	120	BH2/BH3
MLB0412G2140	4-12	21	1.5	4	18	2:1	120	BH2/BH3
MLB0412G2240	4-12	22	1.5	4	12	2:1	120	BH2/BH3
MLB0412G2825	4-12	28	2	2.5	9	2:1	120	BH2
MLB0412G3020	4-12	30	1.6	2	10	2:1	150	BH2
MLB0412G3030	4-12	30	2.5	3	12	2:1	150	BH2/BH3
MLB0412G3230	4-12	32	1.75	3	14	2:1	120	BH2/BH3
MLB0412G3240	4-12	32	2	4	18	2:1	120	BH2/BH3
MLB0412G3340	4-12	33	2	4	12	2:1	120	BH2/BH3
MLB0412G3520	4-12	35	1.6	2	10	2:1	150	BH3
MLB0412G4340	4-12	43	2.5	4	18	2:1	120	BH2/BH3
MLB0412G4440	4-12	44	2.5	4	12	2:1	120	BH4
MLB0412G2225	4-12	22	1	2.5	10	2:1	120	BH2/BH3
MLB0418G2050	4-18	20	3.5	5	10	2.5:1	120	BH2/BH3
MLB0506G2820	5-6	28	0.5	2	12	/	200	BH3
MLB0510G1535	5-10	15	1(Typ)	3.5	12	2:1	100	BH2
MLB0510G2718	5-10	27	1.25	1.8	10	2:1	120	BH2/BH3
MLB0510G2820	5-10	28	1.5	2	10	2:1	120	BH2/BH3
MLB0510G3018	5-10	30	2	1.8	9	2:1	120	BH2/BH3
MLB0510G3220	5-10	32	1.25	2	14	2:1	120	BH2/BH3
MLB0513G2135	5-13	21	1.5	3.5	17	2:1	120	BH2/BH3
MLB0513G2830	5-13	28	1.5	3	10	2:1	120	BH2/BH3
MLB0513G3025	5-13	30	1.5	2.5	14	2:1	120	BH2/BH3
MLB0513G3135	5-13	31	1.5	3.5	19	2:1	120	BH2/BH3
MLB0513G3225	5-13	32	1.5	2.5	14	2:1	120	BH2/BH3
MLB0513G4335	5-13	43	1.5	3.5	19	2:1	120	BH2/BH3
MLB0513G5235	5-13	52	1.5	3.5	19	2:1	120	BH2/BH3
MLB0513G2025	5-13	20	1.5	2.5	15	2:1	120	BH2/BH3
MLB0513G1025	5-13	10	1.25	2.5	10	2:1	100	BH2/BH3
MLB0515G1940	5-15	19	1.5	4	18	2:1	120	BH2/BH3
MLB0515G2040	5-15	20	1.5	4	12	2:1	120	BH2/BH3



WIDE BAND LOW NOISE AMPLIFIER

Part Number	Frequency Range (GHz)	Gain (dB.Min)	Flatness (\pm dB.Max.)	N.F (dB.Max)	P1dB (dBm.min)	VSWR Max	Current@ 12-15 VDC (mA. Typ)	Case Type
MLB0515G2825	5-15	28	2	2.5	10	2:1	120	BH2/BH3
MLB0515G2940	5-15	29	2	4	18	2:1	120	BH2/BH3
MLB0515G3040	5-15	30	2	4	12	2:1	120	BH2/BH3
MLB0515G3030	5-15	30	2.5	3	9	2:1	120	BH2/BH3
MLB0515G3225	5-15	32	2	2.5	12	2:1	120	BH2/BH3
MLB0515G3940	5-15	39	2.5	4	18	2:1	120	BH2/BH3
MLB0515G4040	5-15	40	2.5	4	12	2:1	120	BH2/BH3
MLB0517G1825	5-17	18	1.5	2.5	14	2:1	180	BH2
MLB0526G3550	5.8-26	35	2	5	10	2:1	150	BH3
MLB0512G3230	5.92-11.7	32-35	1	3	10	2:1	120	BH2
MLB0607G6010	6-7	60	1	1	10	1.5:1	400	BH2/BH3
MLB0610G2630	6-10	26	1.5	3	15	2:01	120	BH2/BH3
MLB0610G3014	6-10	30	2	1.4	10	2:01	120	BH2
MLB0612G1025	6-12	10	1	2.5	8	2:01	120	BH2/BH3
MLB0612G1060	6-12	10	1.5	6	10	1.8:1	120	BH2
MLB0612G1935	6-12	19	1	3.5	18	2:01	120	BH2/BH3
MLB0612G1955	6-12	19-22	1.5	2.2	19	2:01	220	BH2
MLB0612G2025	6-12	20	1.5	2.5	15	2:01	120	BH2
MLB0612G2035	6-12	20	1.5	3.5	12	2:01	120	BH2/BH3
MLB0612G2125	6-12	21	1.5	2.5	10	2:01	120	BH2/BH3
MLB0612G2219	6-12	22	1	1.9	10	2:01	120	BH2/BH3
MLB0612G2735	6-12	27	1.25	3.5	18	2:01	120	BH2/BH3
MLB0612G2835	6-12	28	1.25	3.5	12	2:01	120	BH2/BH3
MLB0612G2817	6-12	28	1.5	1.7	10	2:01	120	BH2
MLB0612G2925	6-12	29	1.5	2.5	10	2:01	120	BH2/BH3
MLB0612G3020	6-12	30	1.5	2	14	2:01	120	BH2/BH3
MLB0612G3315	6-12	33	1.5	1.5	10	2:01	120	BH2/BH3
MLB0612G3015	6-12	30	1.5	1.5	10	2:01	120	BH2/BH3
MLB0612G3222	6-12	32	2	2.2	9	2:01	120	BH2/BH3
MLB0612G3320	6-12	33	1.5	2	10	2:01	120	BH2
MLB0612G3735	6-12	37	1.5	3.5	18	2:01	120	BH2/BH3
MLB0612G3835	6-12	38	1.5	3.5	12	2:01	120	BH2/BH3
MLB0612G4025	6-12	40	1.5	2.5	10	2:01	120	BH2/BH3



WIDE BAND LOW NOISE AMPLIFIER

Part Number	Frequency Range (GHz)	Gain (dB.Min)	Flatness (\pm dB.Max.)	N.F (dB.Max)	P1dB (dBm.min)	VSWR Max	Current@ 12-15 VDC (mA. Typ)	Case Type
MLB0612G5025	6-12	50	1.5	2.5	10	2:01	120	BH2/BH3
MLB0618G1026	6-18	10	1.5	2.6	8	2:01	120	BH2/BH3
MLB0618G1430	6-18	14	1	3	/	2:01	120	BH2
MLB0618G1540	6-18	15-17	1.5	4	13	2:01	200	BH2/BH3
MLB0618G1635	6-18	16-18	1.6	3.5	15	2:01	200	BH2/BH3
MLB0618G1740	6-18	17	1.5	4	18	2:01	120	BH2
MLB0618G1825	6-18	18-24	1.5	2.5	13	2:1	180	BH2
MLB0618G1835	6-18	18	2	3.5	10	2:01	200	BH2
MLB0618G1840	6-18	18	1	4	12	2:01	120	BH2/BH3
MLB0618G2025	6-18	20-25	2	2.5	10	2:01	100	BH2
MLB0618C2025	6-18	20-25	2	2.5	10	2:1	100	BH2
MLB0618G2030	6-18	20	2	3	10	2:01	200	BH2
MLB0618G2135	6-18	21	1.5	3.5	13	2:01	150	BH2
MLB0618G2232	6-18	22	1.5(Typ.)	3.2(Typ.)	12(Typ.)	2:01	5V/200mA	BH23
MLB0618G2525	6-18	25	1.5	2.5	13	2:01	120	BH2
MLB0618G2527	6-18	25	1.5	2.7	8	2:01	120	BH2/BH3
MLB0618G2540	6-18	25-27	1.5	4	13	2:01	200	BH2/BH3
MLB0618G3030	6-18	29	1.5	3	15	1.8:1	120	BH2
MLB0618G2630	6-18	26	1.5	3	15	2:01	120	BH2/BH3
MLB0618G2640	6-18	26	2	4	18	2:01	120	BH2
MLB0618G2740	6-18	27	2	4	12	2:01	120	BH2/BH3
MLB0618G2818	6-18	28	2	1.8	10	2:01	120	BH2/BH3
MLB0618G2825	6-18	28	1.5	2.5	15	2:01	120	BH2/BH3
MLB0618G3318	6-18	33	1.5	1.8	10	2:01	120	BH2/BH3
MLB0618G3018	6-18	30	1.5	1.8	15	2:01	120	BH2/BH3
MLB0618G3020	6-18	30	1.5	2	15	2:01	290	BH2
MLB0618G3025	6-18	30	1.5	2.5	10	2.2:1	250	BH3
MLB0618G3219	6-18	32	2.5	1.9	12	2:01	120	BH2/BH3
MLB0618G3230	6-18	32	1.5	3	15	2:01	120	BH2/BH3
MLB0618G3225	6-18	32	1.5	2.5	15	2:01	120	BH2/BH3
MLB0618G3519	6-18	35	2.5	1.9	12	2:01	120	BH2/BH3
MLB0618G3425	6-18	34	2	2.5	10	2:01	170	BH2/BH3
MLB0618G3525	6-18	35	1.5	2.5	15	2:01	120	BH2/BH3
MLB0618G3540	6-18	35	2.5	4	20	2:01	120	BH3
MLB0618G3550	6-18	35	2.5	5	17	2:01	400	BH2/BH3



WIDE BAND LOW NOISE AMPLIFIER

Part Number	Frequency Range (GHz)	Gain (dB.Min)	Flatness (\pm dB.Max.)	N.F (dB.Max)	P1dB (dBm.min)	VSWR Max	Current@ 12-15 VDC (mA. Typ)	Case Type
MLB0618G3640	6-18	36	2.5	4	12	2:01	120	BH2/BH3
MLB0618G3730	6-18	37	1.5	3	17	2:01	120	BH2/BH3
MLB0618G3820	6-18	38	2	2	10	2:01	200	BH4
MLB0618G3825	6-18	38	1.5	2.5	15	2:01	120	BH3
MLB0618G3830	6-18	38	1.5	3	15	2:01	120	BH2/BH3
MLB0618G3940	6-18	39	3	4	18	2:01	120	BH2/BH3
MLB0618G4030	6-18	40	1.5	3	5	1.8:1	120	BH2/BH3
MLB0618G4040	6-18	40	3	4	12	2:01	120	BH2/BH3
MLB0618G4225	6-18	42	2	2.5	10	2:01	120	BH2/BH3
MLB0618G4228	6-18	42	2	2.8	15	2:01	280	BH2/BH3
MLB0618G4225	6-18	42	1.5	2.5	15	2:01	350	BH3
MLB0618G4430	6-18	44	1.5	3	15	2:1	120	BH4
MLB0618G5025	6-18	50	2	2.5	10	2:01	120	DH6
MLB0618G5030	6-18	50	1.5	3	15	2:01	120	BH2/BH3
MLB0620G1730	6-20	17	0.5	3	13	1.8:1	150	BH2/BH3
MLB0618G2930	6.8-18	29-31	1	3	10	1.5:2	150	BH2
MLB0711G2121	7-11	21	1.9	2.1	11(Typ.)	2.3/2	8V/50	BH2
MLB0712G1025	7-12	10	1	2.5	9	2:01	120	BH2/BH3
MLB0712G1825	7-12	18	1.5	2.5	15	2:01	120	BH2/BH3
MLB0712G2230	7-12	22	1.5	3	20	2:01	120	BH2/BH3
MLB0712G2818	7-12	28	1.5	1.8	10	2:01	120	BH2/BH3
MLB0712G2825	7-12	28	1.5	2.5	15	2:01	120	BH2/BH3
MLB0712G3220	7-12	32	1.5	2	14	2:01	120	BH2/BH3
MLB0712G3330	7-12	33	1	3	18	2:01	350	BH3
MLB0712G3630	7-12	36	1.5	3	20	2:01	120	BH2/BH3
MLB0712G3825	7-12	38	1.5	2.5	15	2:01	120	BH2/BH3
MLB0712G4725	7-12	47	1.5	2.5	15	2:01	120	BH2/BH3
MLB0710N4512	7.4-10.6	45	9	1.2	14	1.56/2	90	BH43
MLB0812G1813	8-12	18	1.25	1.3	7	2:01	120	BH2/BH3
MLB0812G1935	8-12	19	1	3.5	18	2:01	120	BH2/BH3
MLB0812G2025	8-12	20	1	2.5	12	2:01	120	BH2
MLB0812G2225	8-12	22	1	2.5	10	2:01	120	BH2/BH3
MLB0812G2211	8-12	22	1.5	1.1(TYP)	10	2:01	120	BH2
MLB080120G2213	8-12	22	1.5	1.3	10	2:01	120	BH2



WIDE BAND LOW NOISE AMPLIFIER

Part Number	Frequency Range (GHz)	Gain (dB.Min)	Flatness (\pm dB.Max.)	N.F (dB.Max)	P1dB (dBm.min)	VSWR Max	Current@ 12-15 VDC (mA. Typ)	Case Type
MLB0812G2522	8-12	25	1	2.2	10	1.8:1	120	BH2
MLB0218G2525	8-12	25	1.5	2.5	15	2:01	250	BH2
MLB0812G2725	8-12	27	2	2.5	18	2:01	200	BH2
MLB0812G2813	8-12	28	1.5	1.3	14	2:01	120	BH2/BH3
MLB0812G2835	8-12	28	1.25	3.5	12	2:01	120	BH2/BH3
MLB0812G3013	8-12	30	1.25	1.3	10	2:01	120	BH2
MLB0812G3030L01	8-12	30	1.5	3	10	2:01	220	BH3
MLB0812G3210	8-12	32	1	1(Typ)	10	2:01	150	BH2
MLB0812G3213	8-12	32	1	1.3	10	2:01	150	BH2
MLB0812G3214	8-12	32	1	1.4	10	2:01	150	BH2
MLB0812G3520	8-12	35	1.5	2	18	2:01	120	BH2/BH3
MLB0812G3610	8-12	36	1	1.3	10	22:1	150	BH2
MLB0812G3635	8-12	36	1.5	3.5	12	:1	120	BH2/BH3
MLB0812G4135	8-12	41	1.75	3.5	18	2:1	120	BH2/BH3
MLB0812G4225	8-12	42	1.75	2.5	12	2:1	120	BH2/BH3
MLB0812G2220	8-12.4	22	1	2	15	2:1	120	BH39
MLB0812G3320	8-12.4	33	1.25	2	15	2:1	180	BH39
MLB0812G3018	8-12.4	30	1.5	1.8	12	2:1	100	BH2/BH3
MLB0814G2430	8-14	24	1.5	3	15	2:1	150	BH2
MLB0814G3040	8-14	30	0.5	4	25	1.8:1	200	BH2/BH3
MLB0818G1840	8-18	18	1.5	4	18	2:1	120	BH2/BH3
MLB0818G1940	8-18	19	1.5	4	12	2:1	120	BH2/BH3
MLB0818G2028	8-18	20	1.5	2.8	10	2:1	120	BH2/BH3
MLB0818G2140	8-18	21-23	1	4	15	2:1	180	BH34
MLB0818G2525	8-18	25	2	2.5	16	2:1	120	BH2
MLB0818G2540	8-18	25	2	4	15	2:1	120	BH2
MLB0618G3025	8-18	30	2	2.5	16	2:1	120	BH2/BH3
MLB0818G2740	8-18	27	1.75	4	18	2:1	120	BH2/BH3
MLB0818G2840	8-18	28	1.75	4	12	2:1	120	BH2/BH3
MLB0818G2820	8-18	28	2	2	10	2:1	120	BH2
MLB0818G3020	8-18	30	2	2	12	2:1	120	BH2/BH3
MLB0818G3219	8-18	32	2.5	1.9	9	2:1	120	BH2/BH3
MLB0818G3527	8-18	35	2	2.7	20	2:1	400	BH3
MLB0818G3640	8-18	36	2	4	18	2:1	120	BH2/BH3
MLB0818G3622	8-18	36	2	2.2	10	2:1	120	BH2/BH3



WIDE BAND LOW NOISE AMPLIFIER

Part Number	Frequency Range (GHz)	Gain (dB.Min)	Flatness (\pm dB.Max.)	N.F (dB.Max)	P1dB (dBm.min)	VSWR Max	Current@ 12-15 VDC (mA. Typ)	Case Type
MLB0818G3740	8-18	37	2	4	12	2:1	120	BH2/BH3
MLB0818G4040	8-18	40	1.75	4	18	2:1	120	BH2/BH3
MLB0818G4140	8-18	41	2.25	4	12	2:1	120	BH2/BH3
MLB0818G4215	8-18	42	1.75(Typ.)	1.5(Typ.)	15	2:1	200	BH3
MLB0810G2510	8.4-10.2	25	0.75	1	5	2:1	200	BH2
MLB0809G3455	8.7-9.6	134 \pm 2	0.75	5.5	10	1.5:1	250	DH24
MLB0810G1425	8.75-10.25	4	1	2.5	10	1.8:1	100	BH2
MLB0910G1725	9-10	17	1	2.5	12	2:1	80	BH2
MLB0910G2512	9-10	25	0.5	1.2	10	1.5:1	100	BH2
MLB0912G2035	9-12	20	1	3.5	10	1.5:1	45	BH2/BH3
MLB1012G5013	10-12	50	2.5	1.3	10	1.5:1	400	BH2/BH3
MLB1012G1725	10-12	17	1	2.5	12	2:1	80	BH2
MLB1013G3025	10-13	30	1.5	2.5	15	2:1	150	BH2
MLB1013G4540	10-13	45	1	4	15	1.55:1	100	BH2/BH3
MLB1015G1030	10-15	10	0.5	3	13	1.8:1	100	BH2/BH3
MLB1015G2025	10-15	20	2	2.5	16	2:1	180	BH2
MLB1015G2530	10-15	25	1.5	3	10	2:1	100	BH2/BH3
MLB1015G3030	10-15	30	1.5	3	13	2:1	150	BH2
MLB1020G3030	10-20	30	1.5	3	13	2:1	150	BH2
MLB1013G2530	10.5-13	25-26	1	3	13	1.8:2	150	BH2/BH3
MLB1012G1520	10.7-12.75	15-16	0.4	2	15	1.7:1.6	150	BH2/BH3
MLB1012G2015	10.7-12.75	20	0.4	1.5	12	1.4:1.6	150	BH2/BH3
MLB1012G3020	10.7-12.75	30	0.75	2	12	1.6:1	120	BH2
MLB1013G1425	10.7-13.7	14-16	1	2.5	10	2:1	150	BH2/BH3
MLB1013G1525	10.7-13.7	15	1	2.5	10	2:1	150	BH2
MLB1218G1235	12-18	12	1	3.5	15	2:1	120	BH2
MLB1218G1528	12-18	15	1	2.8	13	2:1	100	BH2
MLB1218G1635	12-18	16	1	3.5	10	2:1	120	BH2/BH3
MLB1218G1940	12-18	19	1.25	4	18	2:1	120	BH2/BH3
MLB1218G2020	12-18	20	1.5	2	12	2:1	350	BH2
MLB1218G2022	12-18	20	0.2	2.2	0.12	2:1	120	BH2/BH3
MLB1218G2040	12-18	20	1	4	12	2:1	120	BH2/BH3
MLB1218G2028	12-18	20	1	2.8	13	2:1	120	BH2/BH3
MLB1218G2420	12-18	24	1.5	2	10	2:1	120	BH2/BH3
MLB1218G2522	12-18	25	1	2.2	10	1.8:1	200	BH2



WIDE BAND LOW NOISE AMPLIFIER

Part Number	Frequency Range (GHz)	Gain (dB.Min)	Flatness (±dB.Max.)	N.F (dB.Max)	P1dB (dBm.min)	VSWR Max	Current@ 12-15 VDC (mA. Typ)	Case Type
MLB1218G2628	12-18	26	1	2.8	15	2:1	260	BH2
MLB1218G2840	12-18	28	1.5	4	18	2:1	120	BH2/BH3
MLB1218G2816	12-18	28	1.5	1.6(Typ)	10	2:1	120	BH2
MLB1218G2920	12-18	29	1	2	12	2:1	120	BH2/BH3
MLB1218G2922	12-18	29	1	2.2	12	2:1	120	BH2
MLB1218G3025	12-18	30	1.5	2.5	12	2:1	100	BH2/BH3
MLB1218G3020	12-18	30	1.5	2	12	2:1	200	BH2
MLB1218G3030	12-18	30	1.5	3	12	2:1	200	BH2
MLB1218G3228	12-18	32	1	2.8	15	2:1	120	BH2/BH3
MLB1218G3219	12-18	32	1.5	1.9	14	2:1	120	BH2/BH3
MLB1218G3618	12-18	36	1.5	1.8	10	2:1	120	BH2/BH3
MLB1218G3740	12-18	37	1.75	4	18	2:1	120	BH2/BH3
MLB1218G3828	12-18	38	1	2.8	15	2:1	120	BH2/BH3
MLB1218G3840	12-18	38	1.5	4	12	2:1	120	BH2/BH3
MLB1218G4225	12-18	42	1.75	2.5	12	2:1	120	BH2/BH3
MLB1218G4428	12-18	44	1	2.8	15	2:1	120	BH2/BH3
MLB1240G3040	12-40	30	2.5(Typ)	4(Typ)	10	1.5/2(Typ)	150	BH23
MLB1219G3235	12.7-18.9	32-35	1	3.5	14	2:1	120	BH3
MLB1415G2515	14.5-15.5	25-27	0.5(Typ.)	1.5	5	1.4:1(Typ.)	5V/40mA	BH50
MLB1723G5030	17-23	50	1	3	12	2:1	240	BH2/BH3
MLB1720G6013	17.7-20.2	60	1(Typ)	1.342	10	1.3/1.5	175	BH58
MLB1721G3030	17.7-21.2	30	2	3	10	2:1	150	BH2
MLB1721W4015	17.7-21.2	40	2.5(Typ.)	1.5(Typ.)	0	1.8:1(Typ.)	+5V/200mA	BH55
MLB1721W4018	17.7-21.2	40	0.5(Typ.)	1.8	+12	1.4:1(Typ.)	+5V/200mA	BH55
MLB1721G5016	17.7-21.2	50-55	2	1.6	20	2.5/1.5	12V	BH45-2
MLB1721G5018	17.7-21.2	50-55	1.5	180K	10	1.7:1	15V	BH45
MLB1820G2235	18-20	22	1.5(Typ.)	3.5(Typ.)	12(tYP.)	2:1	5v/200mA	BH23
MLB1821G4822	18-21	48	2(Typ)	2.2	10	1.5:1	175	BH58
MLB1822G2530	18-22.4	25-27	1	3	13	1.8:1	150	BH2
MLB1826G3028	18-26	30	1.8	2.8	10	2:1	150	BH2/BH3
MLB1826G3035	18-26	30	2	3.5	10	2.4:1	75	BH2
MLB1826G1150	18-26.5	11	2	5	12	2:1	150	BH2
MLB1826G2030	18-26.5	20	1.5	3	15	2:1	100	BH2/BH3
MLB1826G3030	18-26.5	30	1.5(Typ)	3	13(Typ)	1.5:1(Typ)	200	BH23
MLB1826G4025	18-26.5	40-45	2	2.5(Typ)	10	2.2:1	5V/120	BH72
MLB1830G2550	18-30	25	1.8(Typ)	5	18	2.2:1	100	BH2



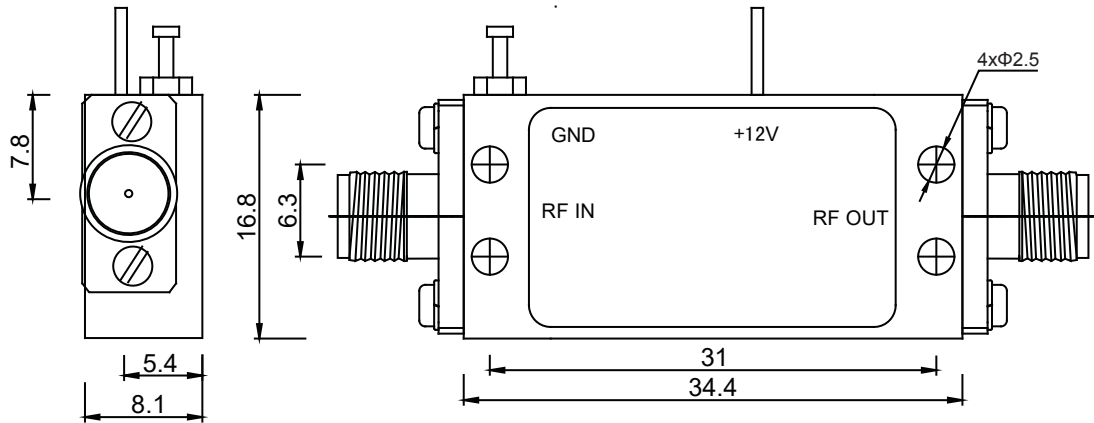
WIDE BAND LOW NOISE AMPLIFIER

Part Number	Frequency Range (GHz)	Gain (dB.Min)	Flatness (\pm dB.Max.)	N.F (dB.Max)	P1dB (dBm.min)	VSWR Max	Current@ 12-15 VDC (mA. Typ)	Case Type
MLB1840G1060	18-40	10	1.5	6	6	2.5:1	120	BH15
MLB1840G1550	18-40	15	1.5(Typ)	5	8	2.5:1	100	BH2
MLB1840G1760	18-40	17	3	6	12	2.5:1	240	BH2
MLB1840G1855	18-40	18-30	2.5	5.5	10	2.2:1	180	BH2
MLB1840G1960	18-40	19(TYP)	3	6	9	2:1	140	BH31
MLB1840G2050	18-40	20	2.5	5	10	2.5:1	240	BH71
MLB1840G2260	18-40	22-28	3.5	6	12	2.5:1	180	BH2
MLB1840G2335	18-40	23	2	3.5	6	2.5:1	120	BH61
MLB1840G2450	18-40	24	2.5	5	8	2.5:1	240	BH2
MLB1840G3050	18-40	30	3	5.5	10	2.5:1	240	BH2
MLB1840G3060	18-40	30(typ)	5	6	15	3:1	350	BH25
MLB1840G3450	18-40	34	3	5(Typ.)	8	2.5:1	240	BH3
MLB1840G3550	18-40	35	3	5	8	2.5:1	240	BH3
MLB2040G2540	20-40	25	2(Typ.)	4(Typ.)	13	2:1(Typ.)	200	BH23
MLB2040G4050	20-40	40	2	5(Typ.)	13	2:1(Typ.)	200	BH23
MLB2232G2025	22-32	20	2	2.5(Typ.)	0	2:1	5V/30mA	BH48
MLB2232C2025	22-32	20	2	2.5(Typ.)	10	2:1	5V/30mA	BH48
MLB2340G3131	23-40	31	2.5	3.1(Typ.)	10	2:1	180	BH23
MLB2340G3431	23-40	34	2.5	3.1(Typ.)	10	2:1	180	BH23
MLB2428G4030	24-28	40	2	3	10	2.5:1	250	BH3
MLB2433G4030	24-33	40	2	3	10	2.5:1	250	BH3
MLB2540G2125	25-40	32	1.5(Typ)	2.5	+5(Typ)	2:1(Typ)	5V/70mA	BH23
MLB2640G3040	26-40	0	2.2	4	8	2.5:1	150	BH23
MLB2640G3431	26-40	34	2.5(TYP)	3.1	7(TYP)	2.5:1	150	BH23
MLB2640G3435	26-40	34	3	3.5(Typ.)	15	2.5:1	300	BH23
MLB2640G6040	26.5-40	60	2.5(Typ)	4	5	2:1(Typ)	5V/350mA	BH23
MLB2640G3030	26.5-40	30	1.5(Typ)	3	13(Typ)	1.5:1(Typ)	200	BH23
MLB2729G2035	27-29	30	1	3.5(Typ.)	10	2.5:1	180	BH3
MLB2729G3431	27-29	34	1	3.1	10	2.5:1	180	BH2
MLB2729G3531	27-29	35	1	3.1	10	2.5	180	BH2
MLB3237G2045	32-37	20	2(Typ)	4.5	13	2:1	120	BH2
MLB3436G3432	34-36	34	1	3.2	10	1.5:1	110	BH40
MLB3545G2030	35-45	20	1.5(Typ)	3	4(Typ)	2.5:1	5V/70mA	BH23
MLB3840G5032	38-40	50	/	3.2	5	1.8/1.5	160	BH44-3

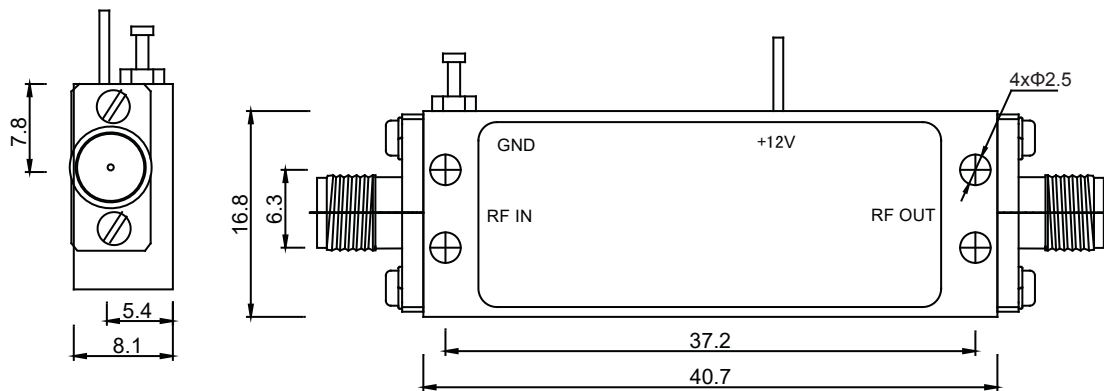


WIDE BAND LOW NOISE AMPLIFIER

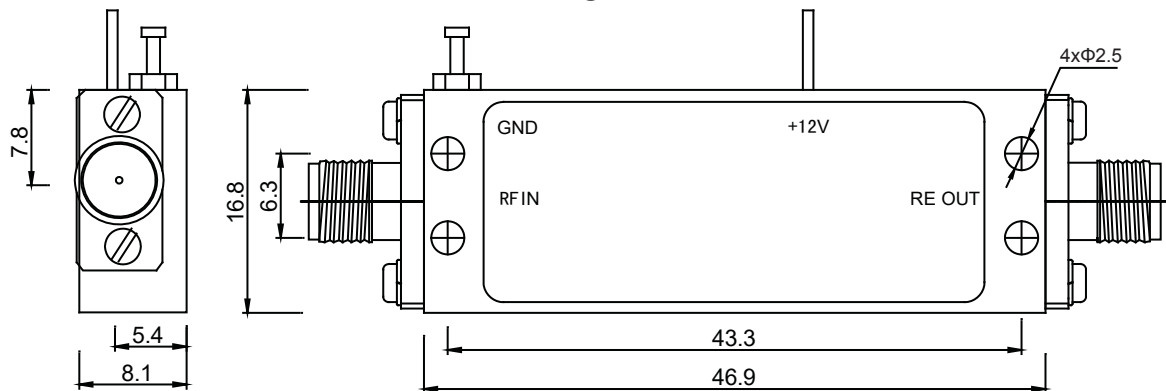
Part Number	Frequency Range (GHz)	Gain (dB.Min)	Flatness (\pm dB.Max.)	N.F (dB.Max)	P1dB (dBm.min)	VSWR Max	Current@ 12-15 VDC (mA. Typ)	Case Type
MLB4750G4530	47-50	45	1	3	8(TYP)	2:1	250	BH22
MLB5064G4070	50-64	40	3	7	7	3.5:1	8V/350mA	BH44
MLB75110G1835	75-110	18(Typ.)	2.5(Typ.)	3.5(Typ.)	0(Typ.)	2:1(Typ.)	5V	PM71
MLB75110G3540	75-110	35(Typ.)	3.5(tYP.0	4(Typ.)	0(Typ.)	2:1(Typ.)	5V	PM71
MLB75110G3545	75-110	35	3(Typ.)	4.5(Typ.)	0(Typ.)	2:1(Typ.)	220V	BH52
MLB9095G2850	90-95	28	2.5	/	17	/	8V/1.5A	BH62
MLB9395G5050	93-95	50	1	5	/	2:1	5V/200mA	BH22
MLB100160G3255	100-160	32	3(Typ.)	5.5(Typ.)	-1(Typ.)	2:1(Typ.)	220V	BH52



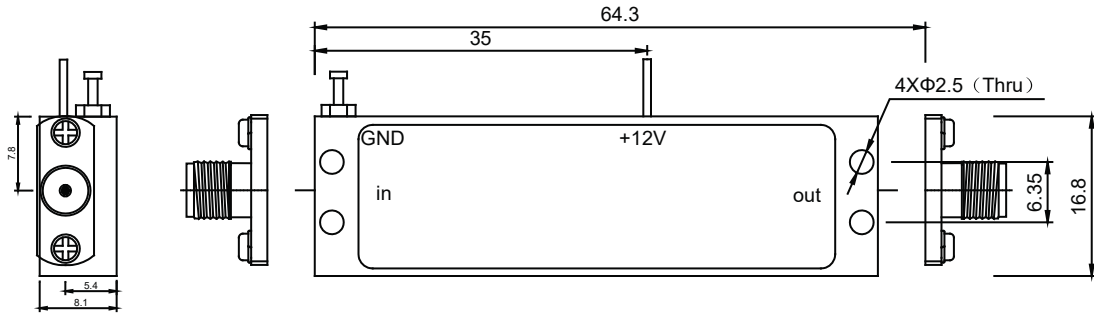
BH2



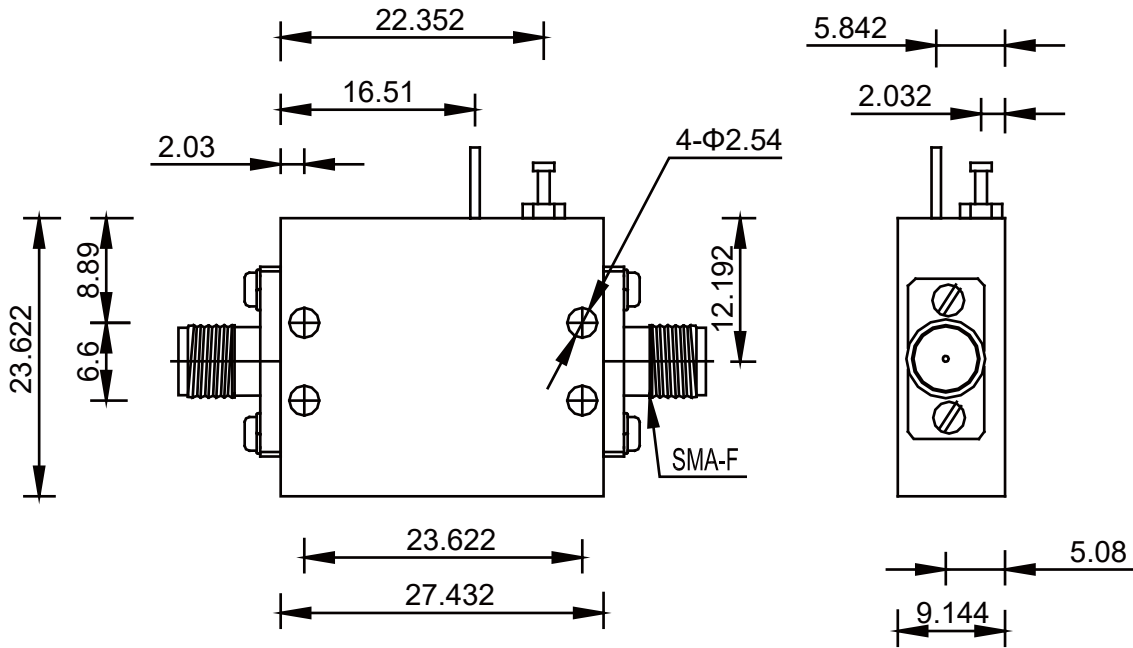
BH3



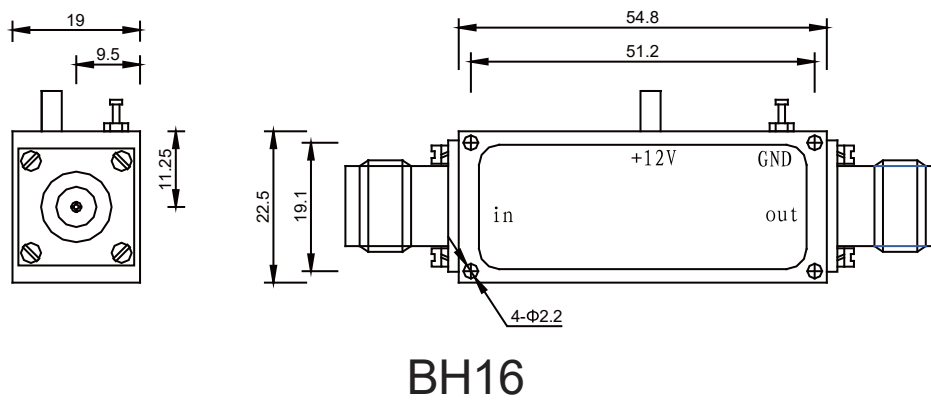
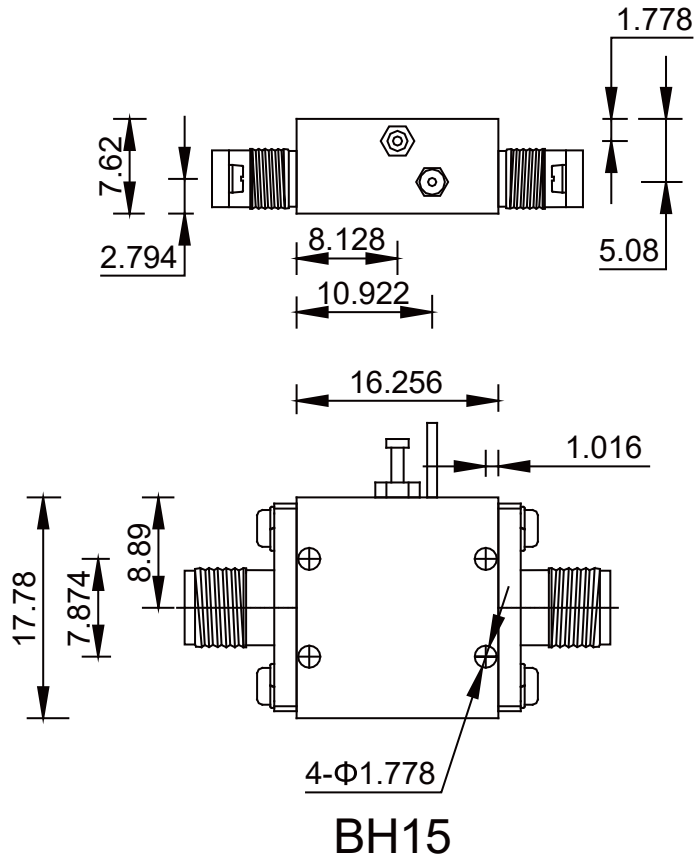
BH4

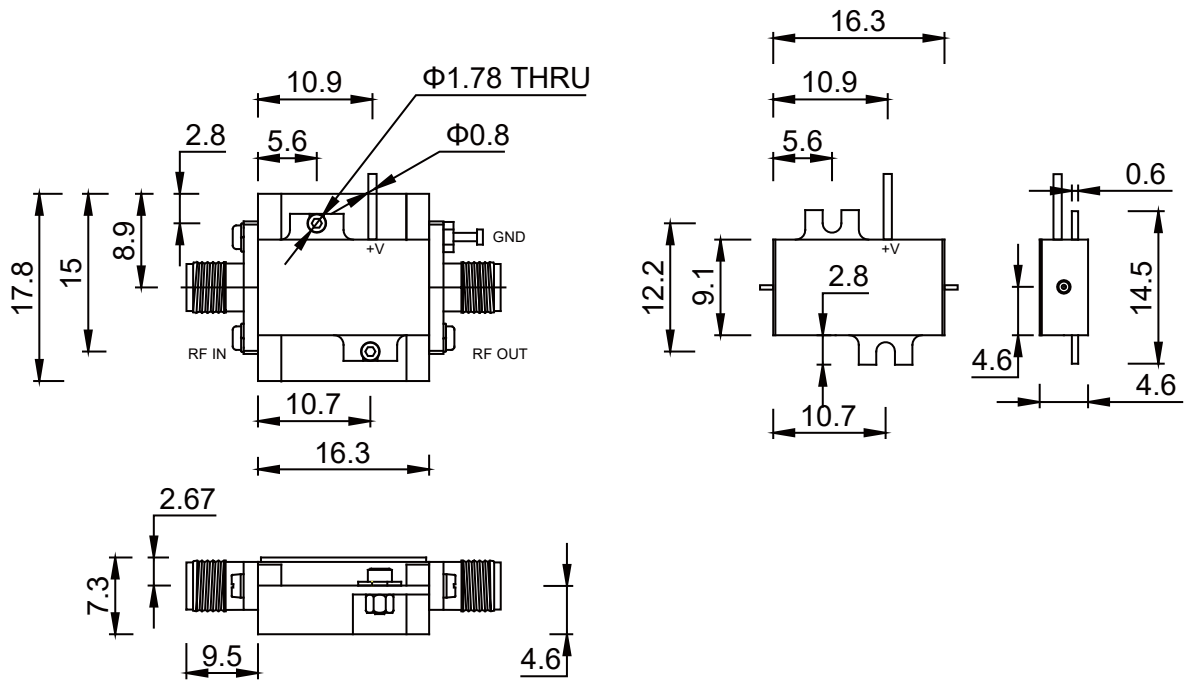


BH6

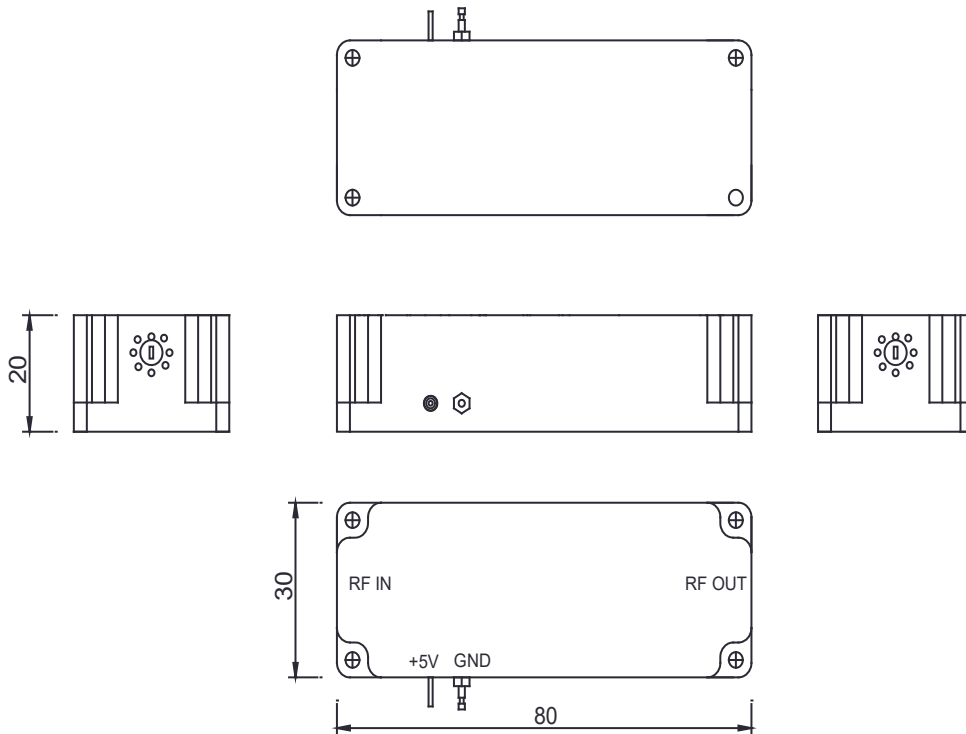


BH12

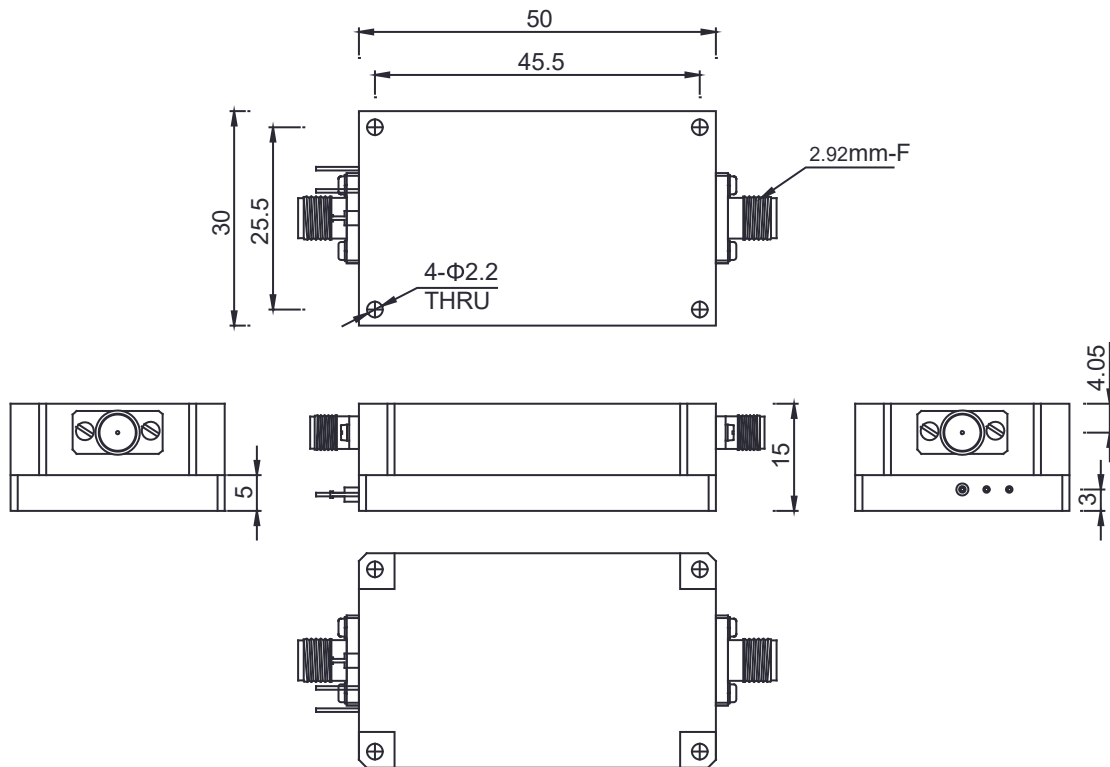




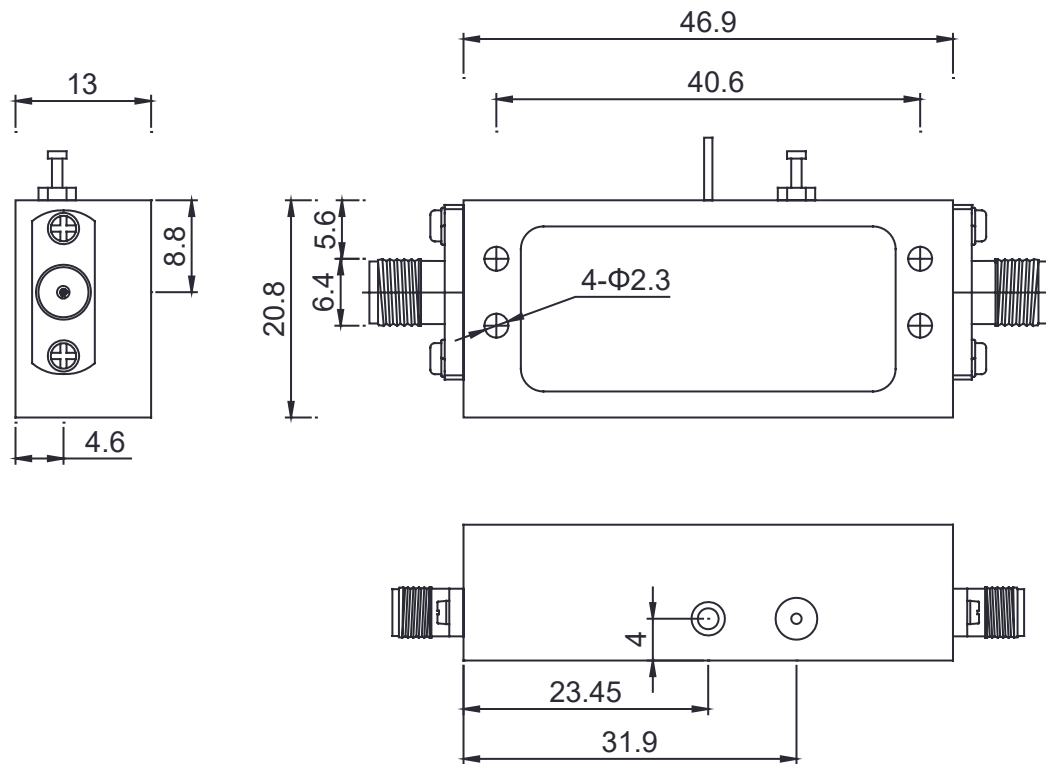
BH19



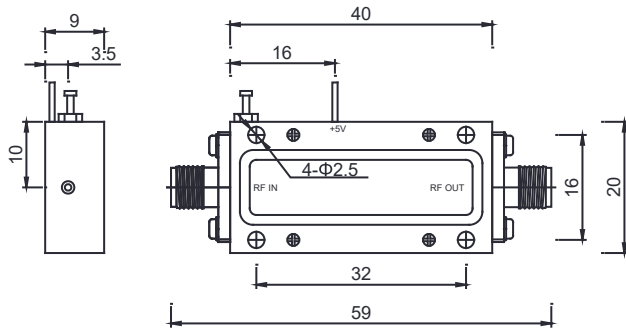
BH22



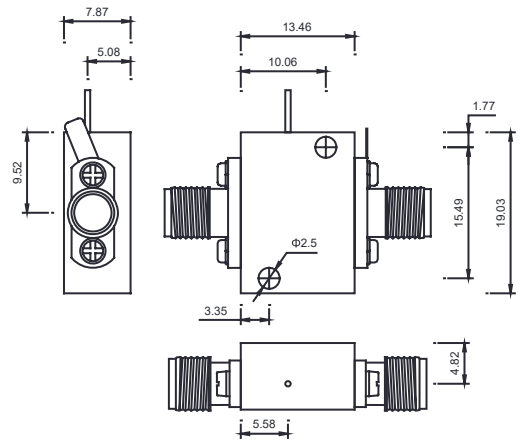
BH23



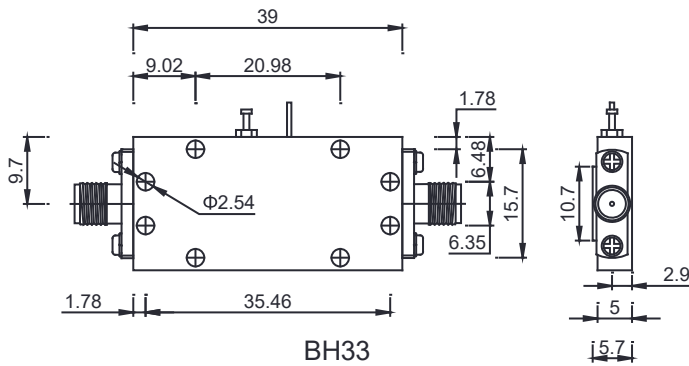
BH24



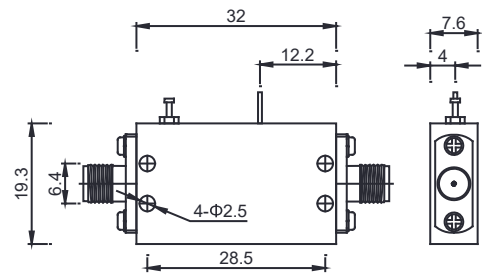
BH25



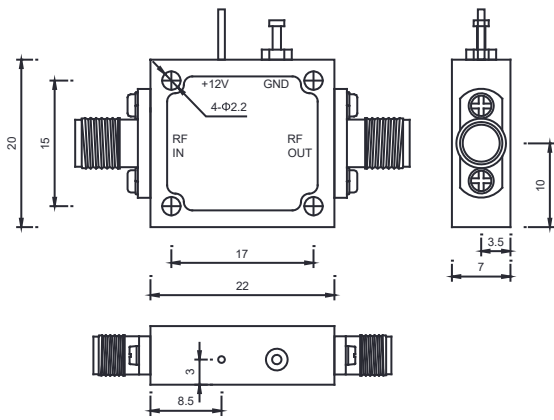
BH31



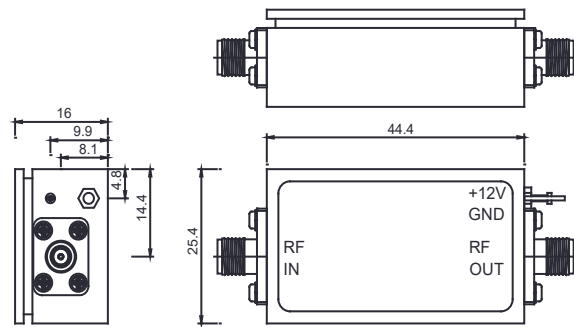
BH33



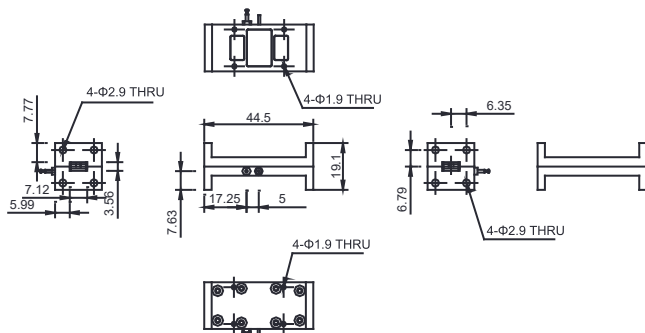
BH34



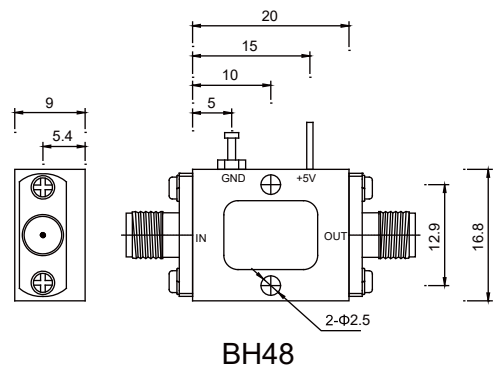
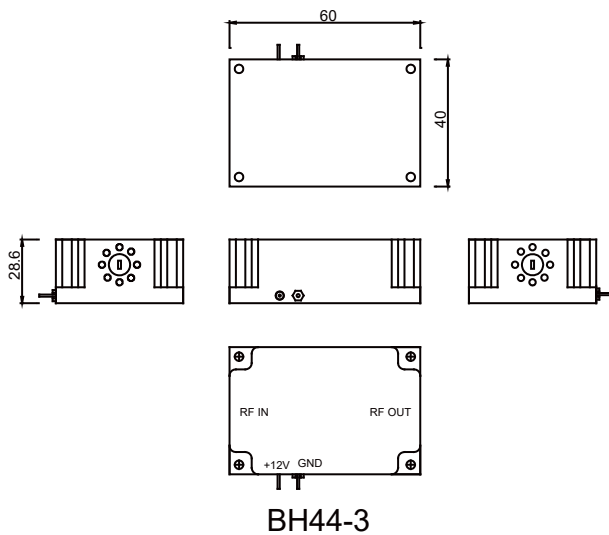
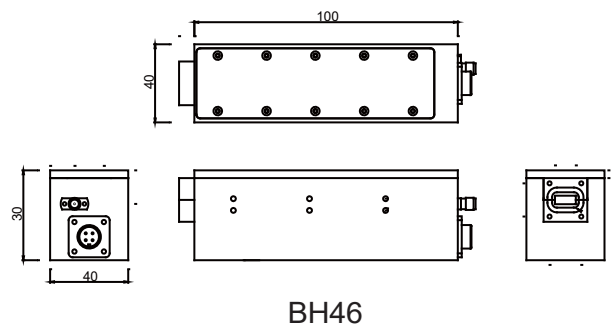
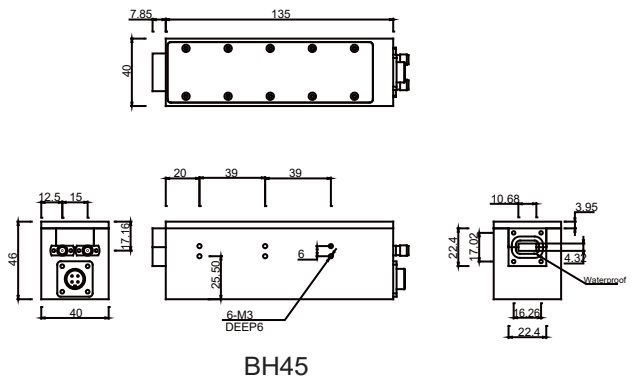
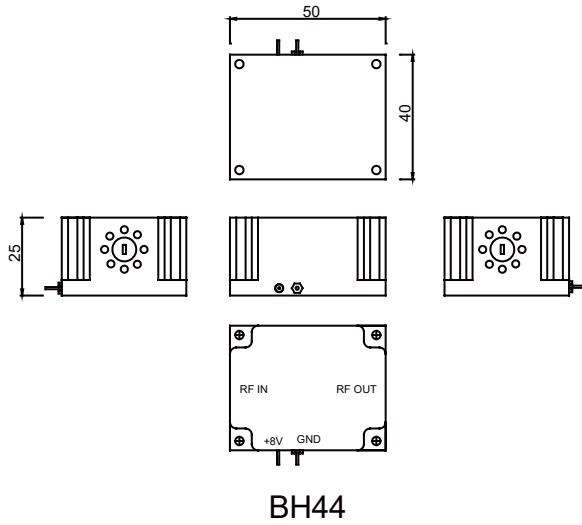
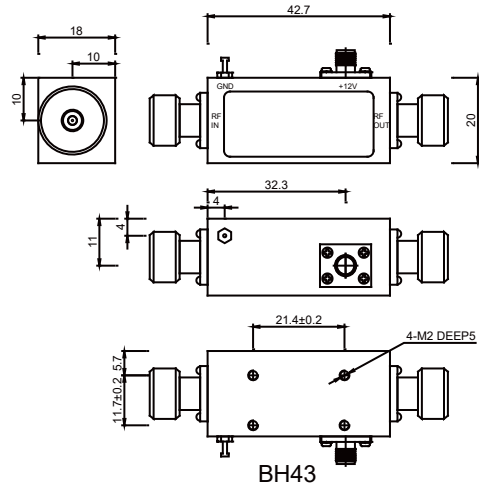
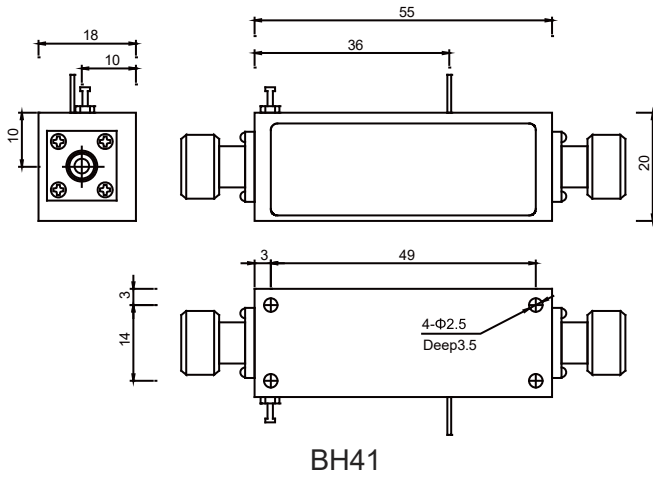
BH36

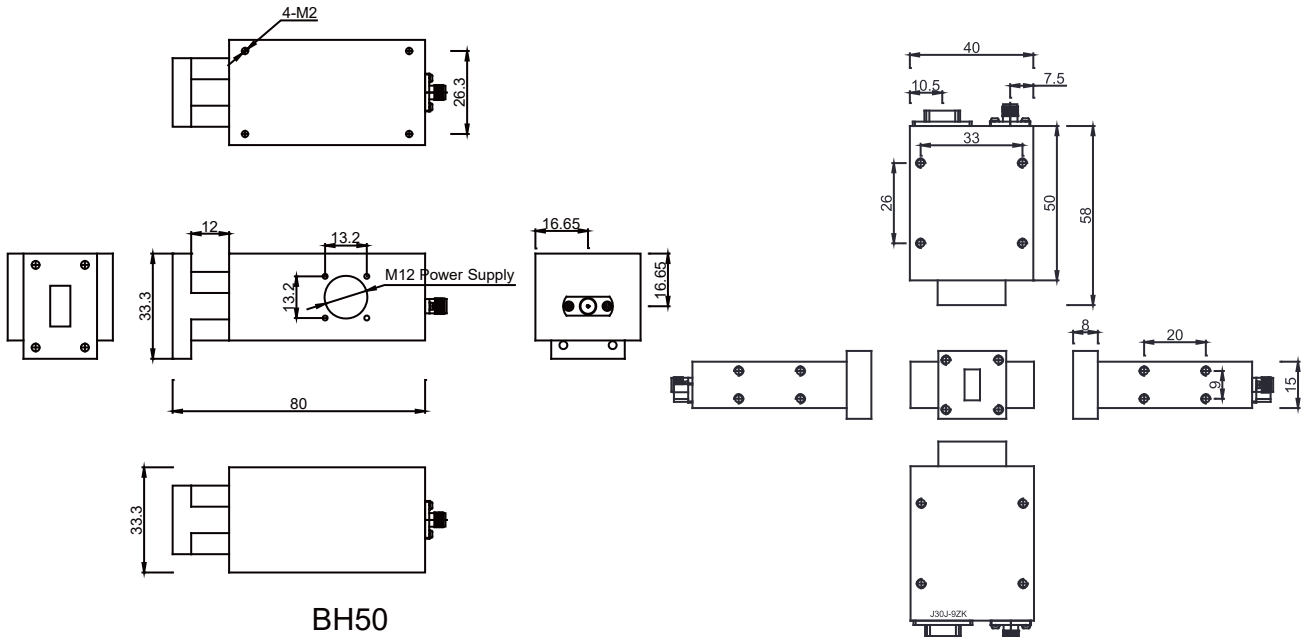


BH39



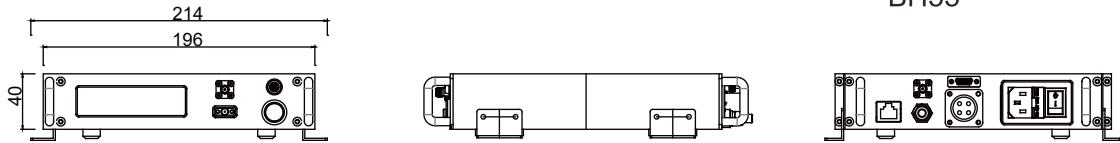
BH40



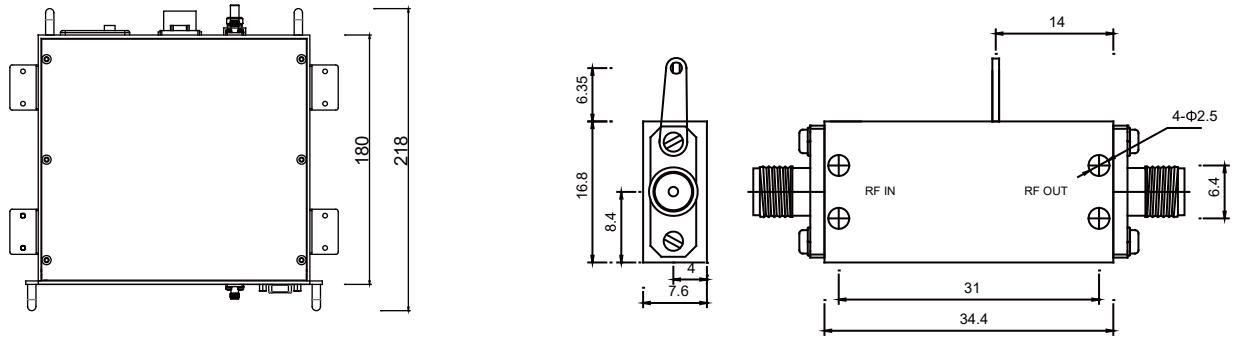


BH50

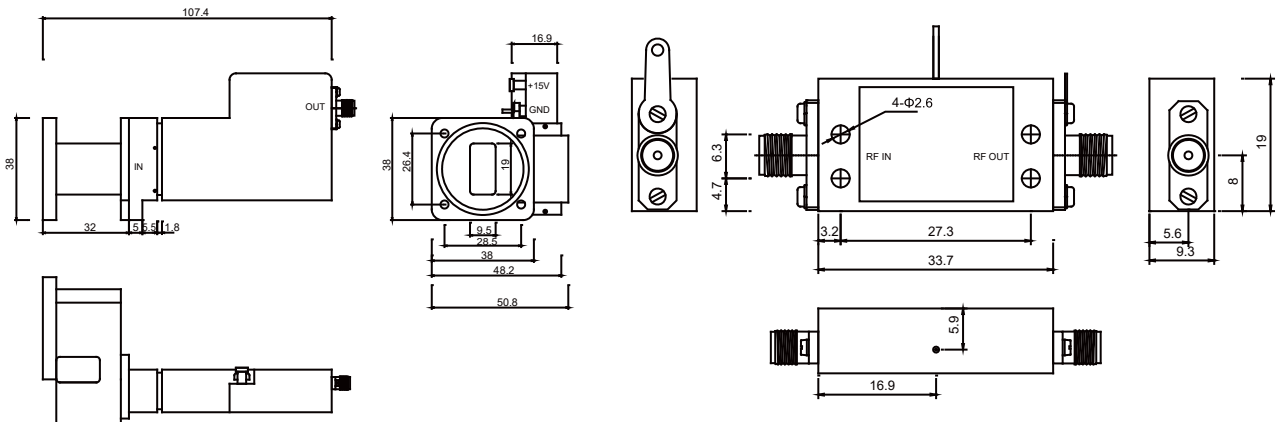
BH55



BH52

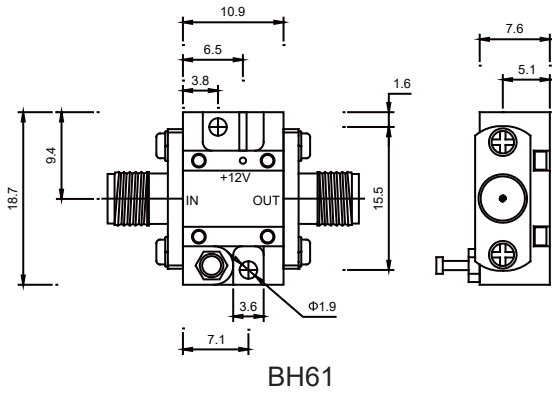


BH57

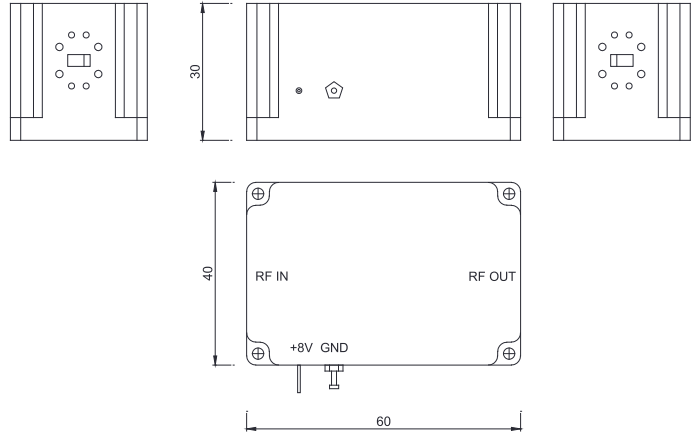


BH58

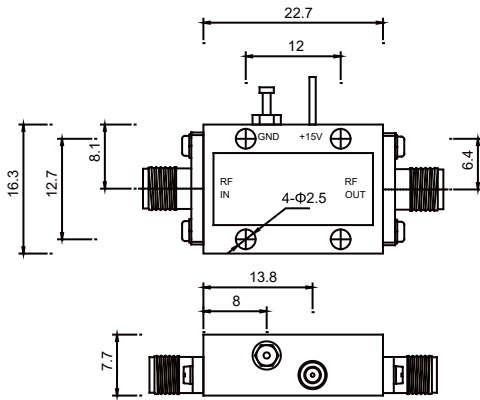
BH59



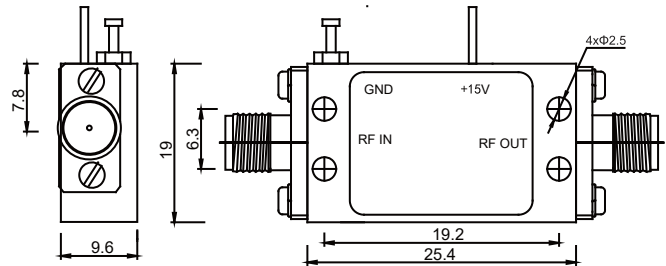
BH61



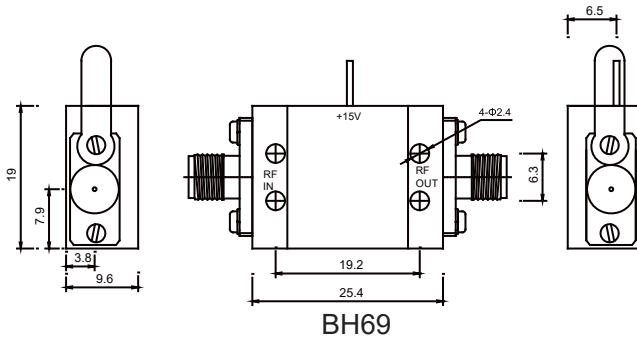
BH62



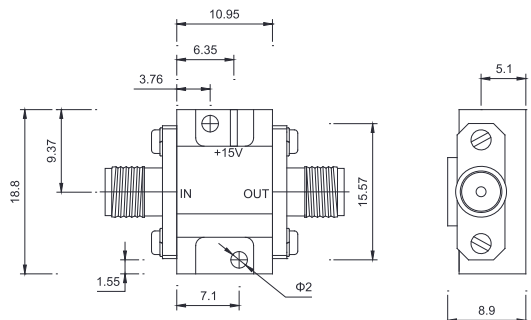
BH66



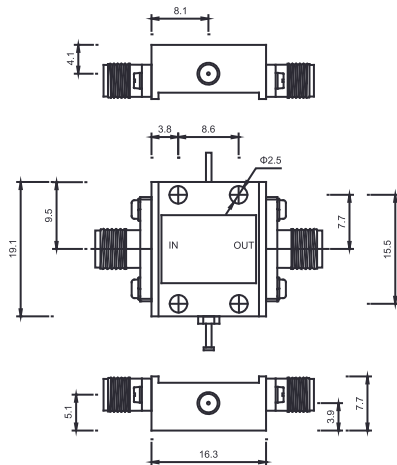
BH68



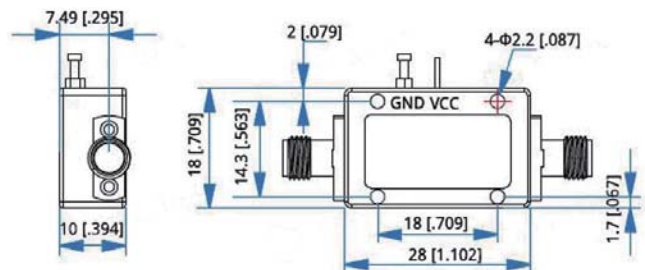
BH69



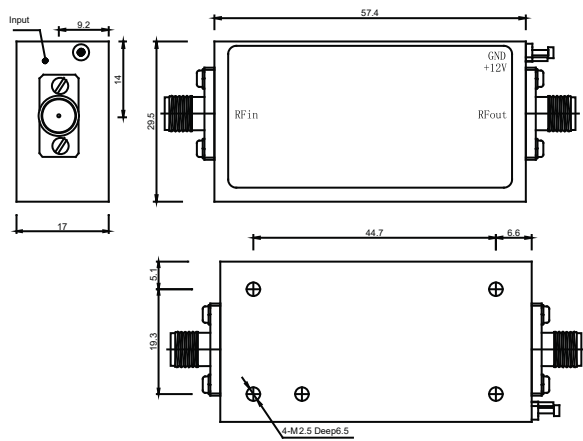
BH71



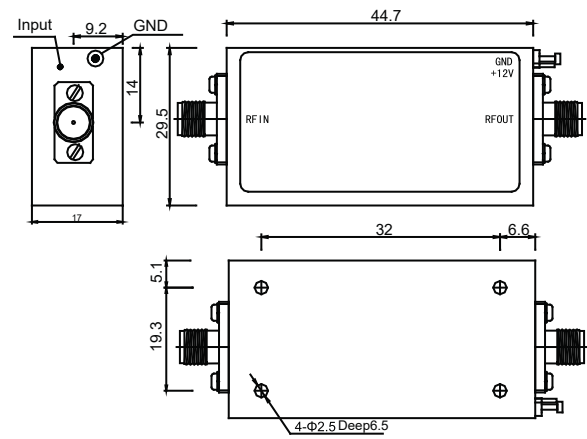
BH72



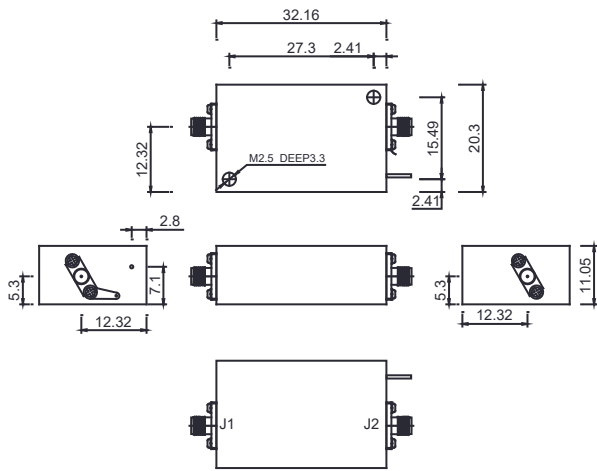
BH73



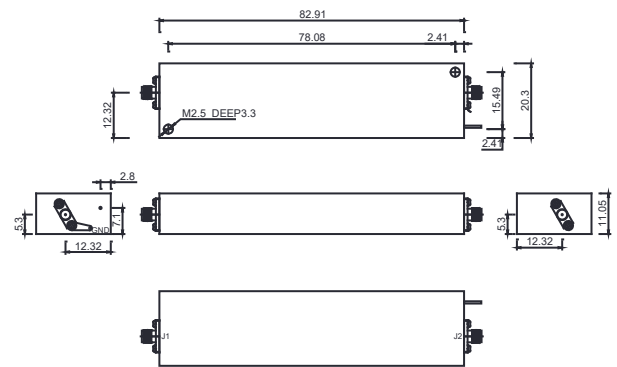
DH6



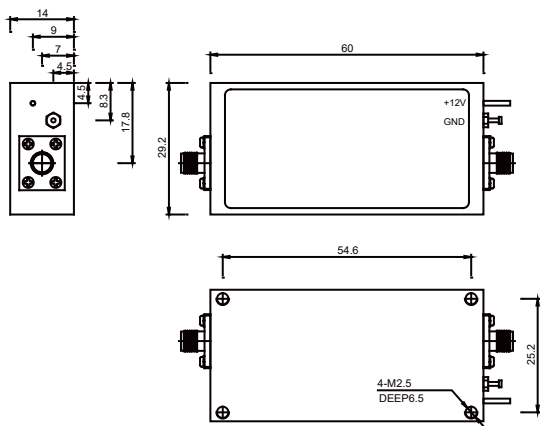
DH4



DH11



DH12



DH24

