

FEATURE:

- Solid State,Mixture Integrated
- High Speed,Low Loss,High Isolation Integral with Driver
- Field Removable SMA(F) Connector
- Operating Temperature:-55~+85°C
- Contorl:TTL"0"Loss,TTL"1"Isolation



APPLICATION:

- Test equipment
- Radar&Warfare system
- Communication system

ELECTRICAL SPECIFICATIONS@25°C:

Parameter	Min	Typical	Max	Units
Frequency Range	6		18	GHz
Insertion Loss		1.5	1.8	dB
Isolation	26			dB
VSWR			1.8	Ratio
Switching Speed		800		ns
Power handling average		70	100	watt
DC Power supply +5V		500		mA
DC Power supply -48V		20		mA

Note:Power handling Peak:100W min

ENVIRONMENTAL RATINGS:

Parameter	Min	Typical	Max	Units
Operating Temperature	-40		+85	°C
Non-operating Temperature	-55		125	°C
Relative humidity (non-condensing)		95		%
Altitude (MIL-STD-810F)	10000		30000	feet
Shock / Vibration (MIL-STD-810F)		Airbone		

MECHANICAL SPECIFICATIONS:

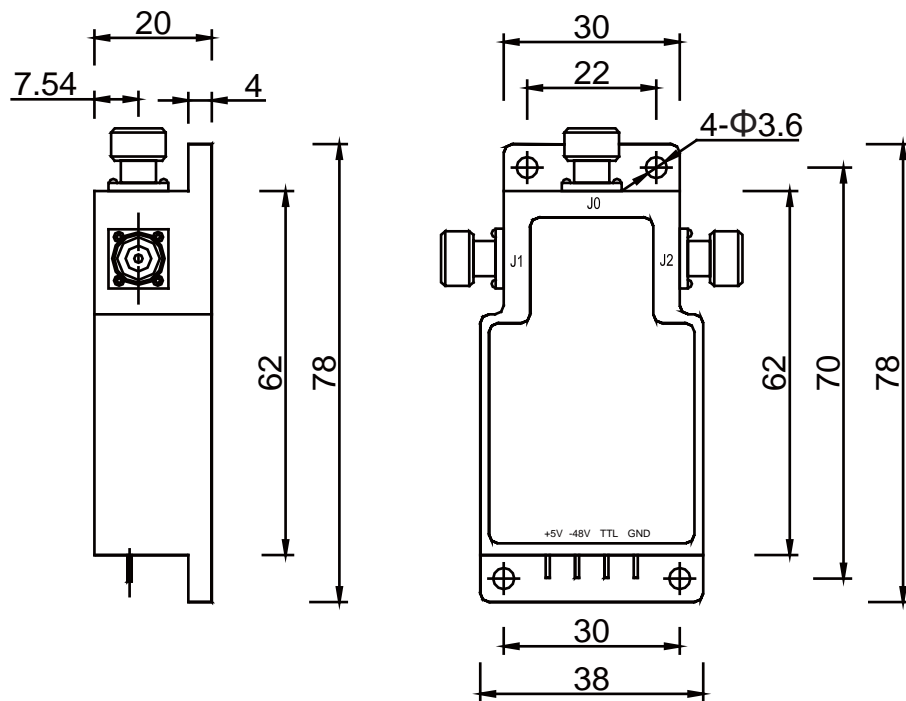
Parameter	Value	Limits	Units
Dimensions	38*78*20	Max	Millimeter
Weight	150	Max	gram
RF Connectors Input	N-F		
RF Connectors output	N-F		
Impedance	50		ohms

TTL CONTROL LOGIC

TTL 0 (low) (0 to 0.8 V) :J0-J2

TTL 1 (high) (2.4 to 4.7 V) :J0-J1

OUTLINE DRAWING(mm):



DW5