



WIDE BAND LOW NOISE AMPLIFIER

MLB0412G3030

FEATURES

- Wide Bandwidth
- Low Power Consumption
- Low Noise Figure
- Miniature Sizes, Field Removable connector
- Compact/Rugged Thin-Film Construction



APPLICATIONS

- Microwave Radio & VSAT
- Military & Space
- Test Instrumentation
- Fiber Optics

ELECTRICAL SPECIFICATIONS@25°C:

Parameter	Min	Typical	Max	Units
Frequency Range	4		12	GHz
Small Signal Gain	30			dB
Small Signal Gain Flatness			±2.5	dB
Noise Figure			3	dB
Output Power 1dB compression	12			dBm
IP3				dBm
VSWR Input/output			2:1	Ratio
DC Power Supply		12		Volt
Current		150		mA

ENVIRONMENTAL RATINGS:

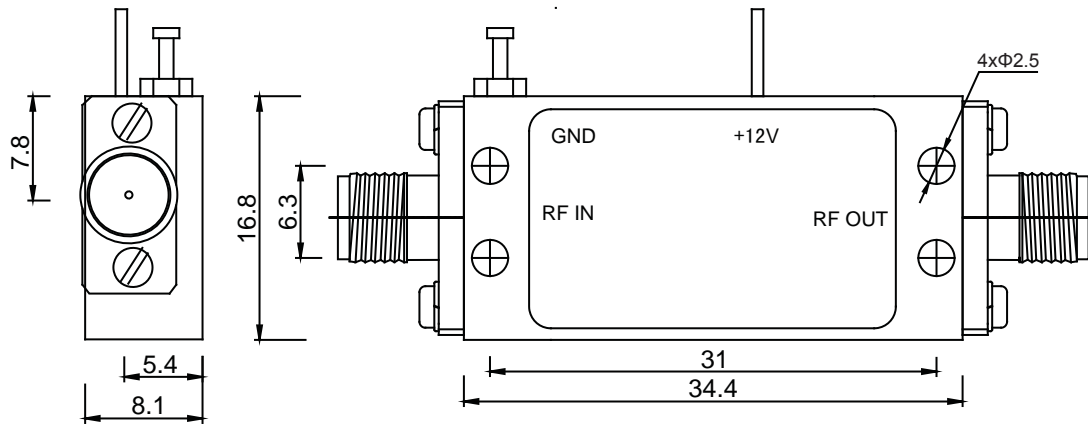
Parameter	Min	Typical	Max	Units
Max Input power			20	dBm
Operating Temperature	-40		+85	°C
Non-operating Temperature	-55		125	°C
Relative humidity (non-condensing)		95		%
Altitude (MIL-STD-810F)	10000		30000	feet
Shock / Vibration (MIL-STD-810F)		Airbone		

MECHANICAL SPECIFICATIONS:

Parameter	Value	Limits	Units
Dimensions	34.4*16.8*8.1	Max	Millimeter
Weight	50	Max	gram
RF Connectors Input	SMA-F		
RF Connectors output	SMA-F		
Impedance	50		ohms

Note:miniature size,drop-in ,SMT and customized specification is also available

OUTLINE DRAWING(mm):



BH2