

### FEATURES

- DC-40GHz, up to 10kW
- Flatness Attenuation Value and Accuracy
- High Reliability, Repeatable Performance
- Anti-pulse and Anti-burnout
- Low IM3 Versions Available

### APPLICATIONS

- Military & Space
- Radar&Electronic warfare
- Test Equipment

### ELECTRICAL SPECIFICATIONS@25°C:

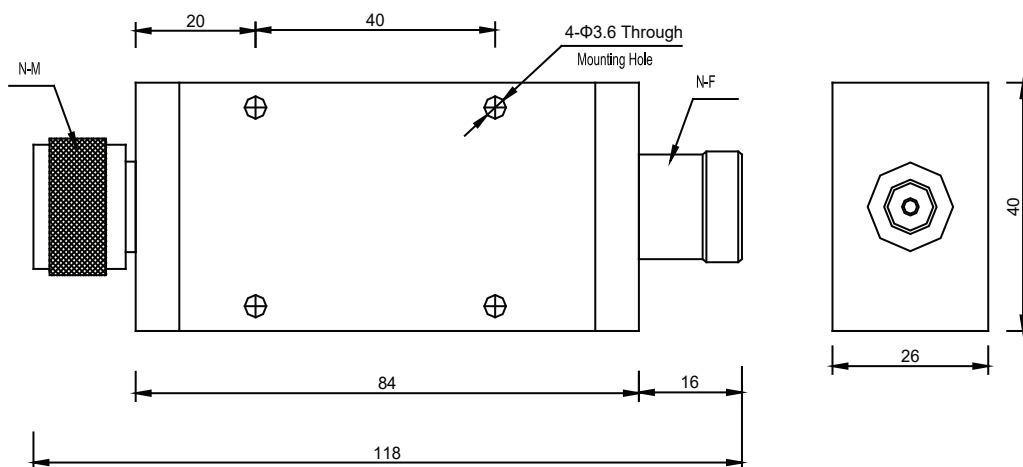
Frequency Range(GHz)	Attenuation Value & Accuracy (dB)	Max VSWR
	3/6/10/20/30/40	
DC-2	±0.7	1.25
DC-4	±1.0	1.35

How to order: MFT040F050F40H-XX,if order 30dB attenuator part number will be MFT040F050F40H-30.XX:Atten Value.

### MECHANICAL SPECIFICATIONS:

Parameter	Value	Limits	Units
Dimensions	118*40*26		Millimeter
Weight	250	type	gram
Operating Temperature	-55~+125		°C
Impedance	50		ohms

### OUTLINE DRAWING(mm):



### Note:

- 1.Average power:50W @ 25°C , 5W @ 125°C.
- 2.Peak power:10KW (5μs pulse width with 0.5% duty cycle)
- 3.Connector type: N, SMA, please remark connector type. Standard is N-M input ,N-F output.
- 4.Customized special attenuation value & accuracy is also available.