

FEATURES

- DC-40GHz, up to 10kW
- Flatness Attenuation Value and Accuracy
- High Reliability, Repeatable Performance
- Anti-pulse and Anti-burnout
- Low IM3 Versions Available

APPLICATIONS

- Military & Space
- Radar&Electronic warfare
- Test Equipment



ELECTRICAL SPECIFICATIONS@25°C:

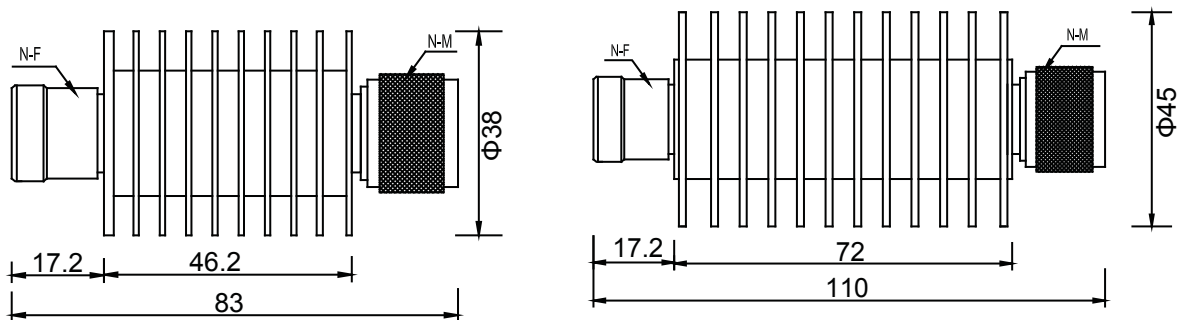
Part Number	Frequency Range(GHz)	Attenuation Value & Accuracy (dB)						Max VSWR
		1-9	10	20	30	40	50	
MFT010F025FXXL	DC-1	±0.4	±0.4	±0.4	±0.5	±0.5	±0.75	1.10
MFT020F025FXXL	DC-2	±0.4	±0.4	±0.5	±0.5	±0.75	±1.0	1.15
MFT030F025FXXL	DC-3	±0.4	±0.5	±0.6	±0.6	±1.0	±1.2	1.20
MFT040F025FXXL	DC-4	±0.5	±0.6	±0.75	±0.75	±1.0	±1.5	1.25

Note: XX refer to attenuation value in dB

MECHANICAL SPECIFICATIONS:

Parameter	Value	Limits	Units
Dimensions	Φ38*83/Φ45*110		Millimeter
Weight	120/220	type	gram
Operating Temperature	-55~+125		°C
Impedance	50		ohms

OUTLINE DRAWING(mm):



Note:

- 1.Average power: 25W @25°C , 2.5W @ 125°C.
- 2.Peak power:1KW (5μs pulse width with2.5% duty cycle)
- 3.Connector type: N, SMA, TNC, BNC, 7/16, please remark connector type.Standard is N-male input , N-F output.
- 4.Customized special attenuation value & accuracy is also available.