

FEATURE:

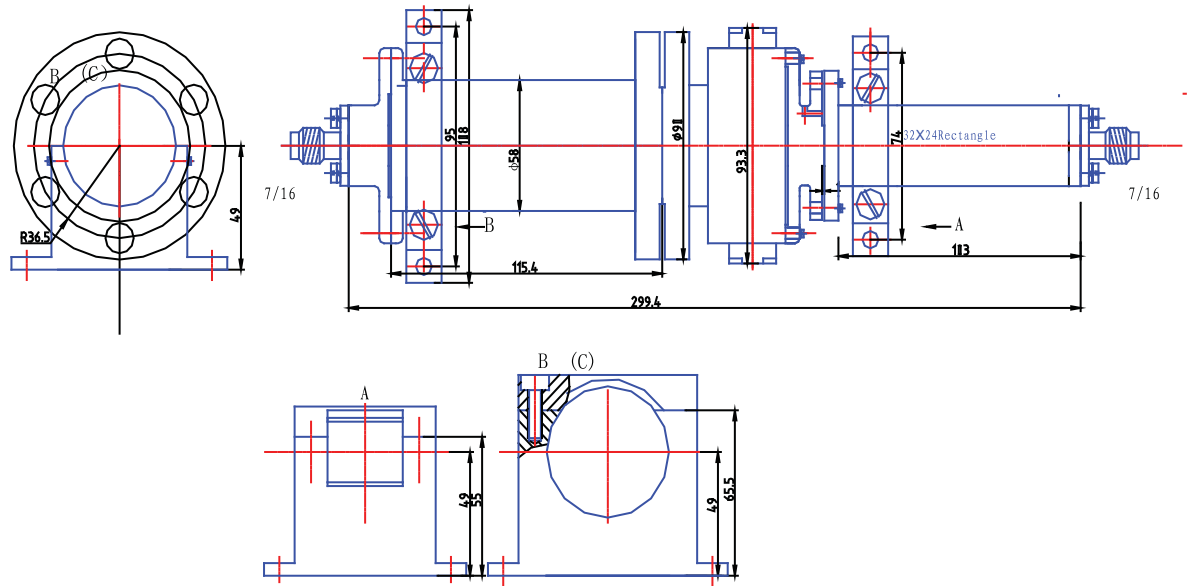
- Solid State,Mixture Integrated
- High Speed,Low Loss,High Isolation
- Field Removable SMA(F) Connector
- Integrated with Driver

APPLICATION:

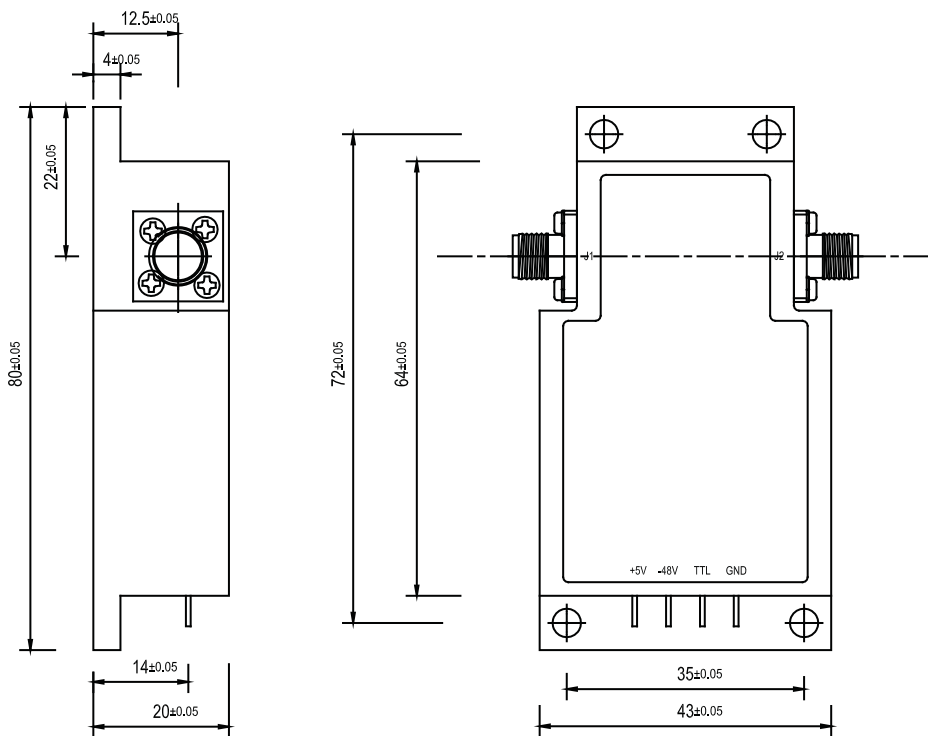
- Test equipment
- Radar&Warfare system
- Communication system

SPECIFICATIONS@25°C:

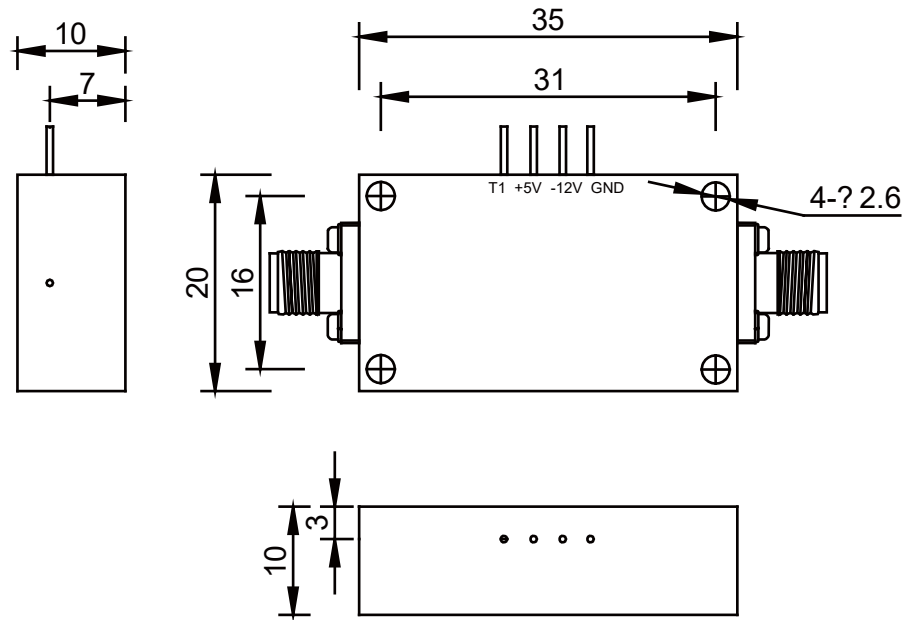
Part Number	Frequency Range (GHz)	Insertion Loss (dB Max)	Isolation (dB.min)	Power Handling (watt)	VSWR Max	Switch Time(ns)	DC Power Supply@ +5VDC	Case Type
SPST012014A3H250	1.2-1.4	0.8	35	250	1.6	/	-120V/10mA	SW26
SPST001005R6H010	0.1-0.5	1	60	10	1.5	300	-12V/20mA	SW3/SW6
SPST005020R6H010	0.5-2	1.5	60	10	1.5	300(TYP)	-12V/20mA	SW10
SPST008009R4H73K	0.8-0.9	0.6	45	1300	1.3	5000	-50V/40mA	SW6
SPST008009R4H13K	0.8-0.9	0.6	45	300	1.3	5000	-5V/200mA	SW6
SPST010020R3H100	1-2	0.5	30	100	1.4	800	-12V/20mA	SW4/SW6
SPST012014R3H250	1.2-1.4	0.8	35	250	1.6	/	-120V/10mA	SW17
SPST015030R3H100	1.5-3	0.6	30	100	1.4	800	-12V/20mA	SW4/SW6
SPST020040R6H010	2-4	1.7	60	10	1.5	300	-12V/20mA	SW3/SW6
SPST020040R2H100	2-4	0.6	25	100	1.5	800	-12V/20mA	SW4/SW6
SPST020040R4H010	2-4	0.8	40	10CW	1.5	800	-18V/40mA	SW15
SPST040080R2H100	4-8	0.8	26	100(TYP)	1.7	800	-48V/20mA	SW4
SPST040080R6H010	4-8	2	60	10	1.5	300	-12V/20mA	SW3/SW6
SPST080120R6H005	8-12	2	60	5	1.8	120	-12V/220mA	SW9
SPST080120R6H010	8-12	2.5	60	10	1.7	300	-12V/20mA	SW3/SW6
SPST096097R3H016	9.6-9.7	1	30	116	1.5	500	-28V/100mA	SW8
SPST120180R6H010	12-18	2.7	60	0	2	300	-12V/20mA	SW3/SW6



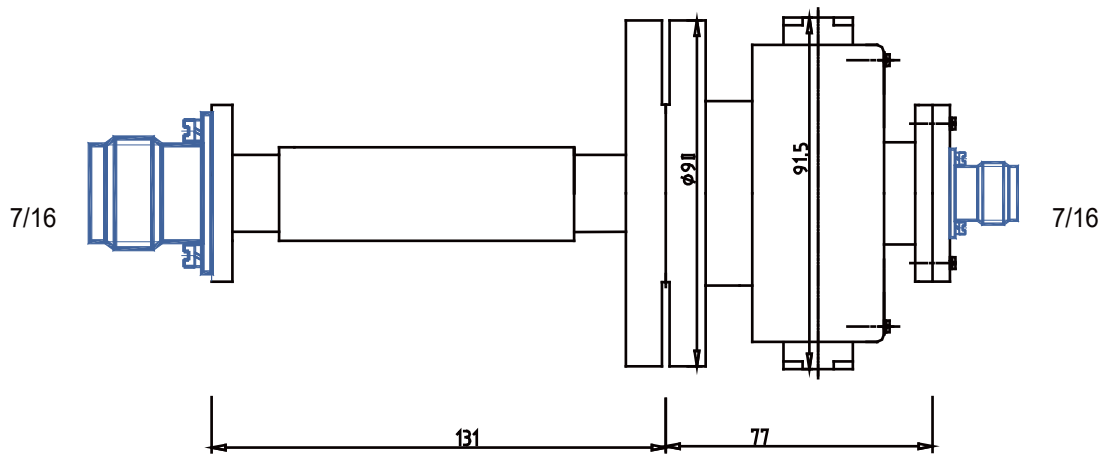
SW3



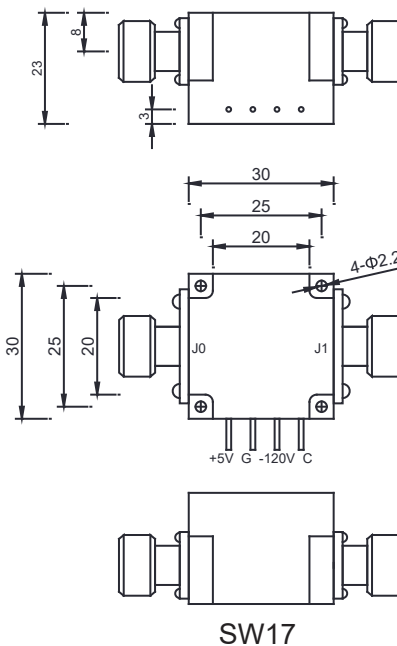
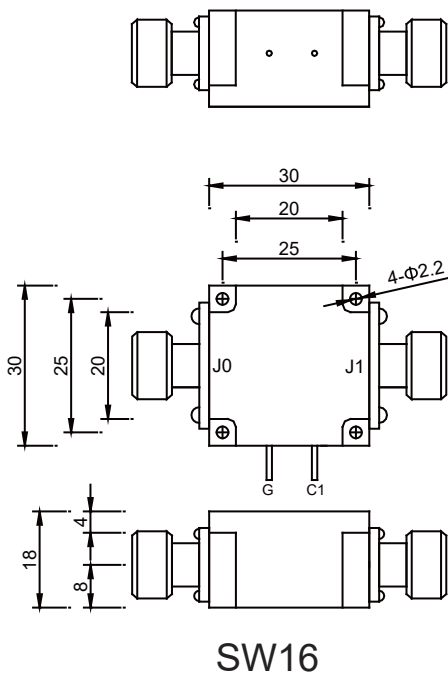
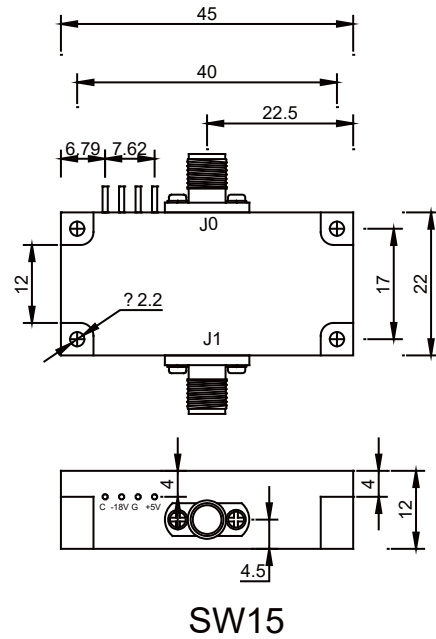
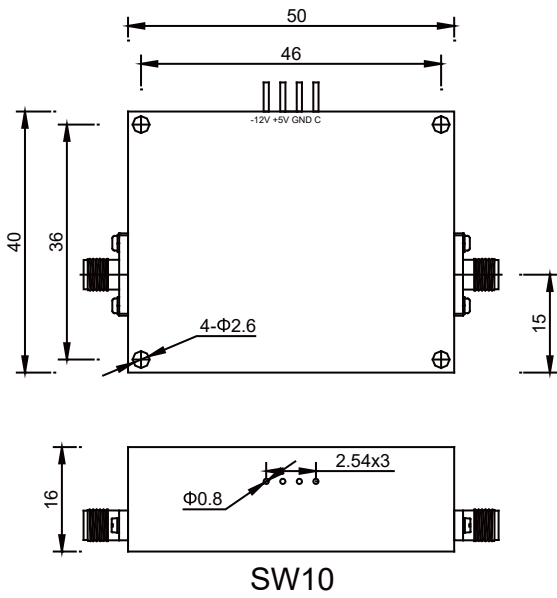
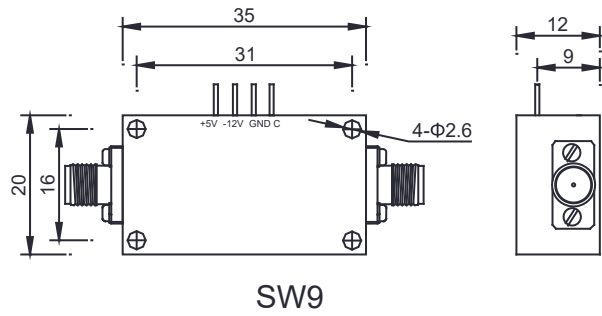
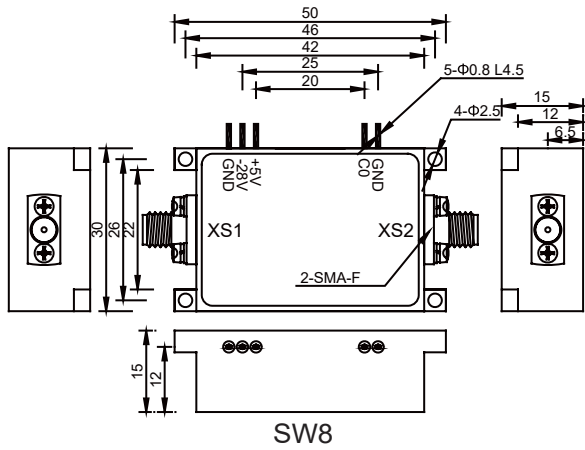
SW4



SW5



SW6



FEATURE:

- Solid State,Mixture Integrated
- High Speed,Low Loss,High Isolation Integral with Driver
- Field Removable SMA(F) Connector
- Operating Temperature:-55~+85°C
- Contorl:TTL“0”Loss,TTL“1”Isolation



APPLICATION:

- Test equipment
- Radar&Warfare system
- Communication system

SPECIFICATIONS@25°C:

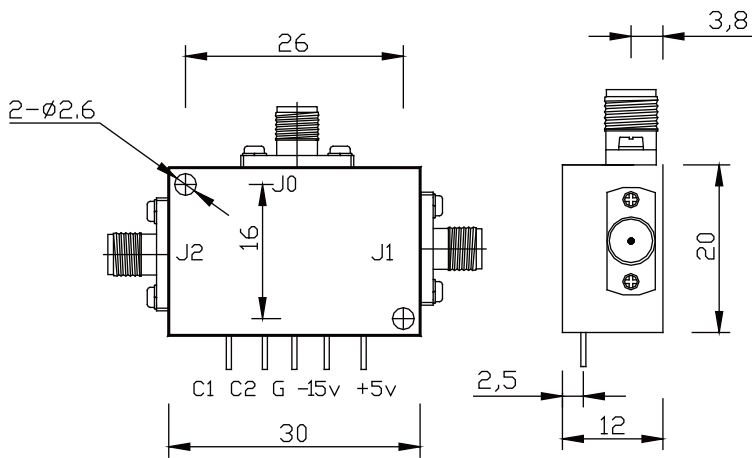
Part Number	Frequency Range (GHz)	Insertion Loss (dB Max)	Isolation (dB.min)	Power Handling (watt)	VSWR Max	Switch Time(ns)	DC Power Supply@ +5VDC	Case Type
SPDT005003R3H075	0.03-0.512	1	30	75	1.8	2us	-60V/20mA	DW6
SPDT003005R9H075	0.03-0.52	1.4	60	75	/	7us	-60V/60mA	DW6
SPDT060003R6H004	0.03-6	2.6	60	4CW	1.8	400	-24V/10mA	DW33
SPDT060003R6H010	0.03-6	2.8	60	10CW	1.8	400	-48V/10mA	DW33
SPDT001005R6H010	0.1-0.5	1.2	60	10	1.5	300	-5V/40mA	DW3/DW6
SPDT001010R5H100	0.1-1	1.3	50	100	1.5	1.5	-28V/50mA	DW28
SPDT001001A4H030	0.155-0.165	0.5	40	30	1.4	1us	-60V/40mA	DW4
SPDT002004R3H050	0.2-0.4	1	30	50	1.5	10us	-48V/200mA	DW4
SPDT002050R4H300	0.2-0.5	0.5	45	300	1.4	800	-60V/40mA	DW6
SPDT002180R6H001	0.25-18	3.5	60	1CW	2	200	-5V/50mA	DW24
SPDT003008R5H200	0.3-0.8	0.5	50	200	1.25	10000	-60V/40mA	DW6
SPDT005020R5H001	0.5-2	1.5	50	1CW	1.6	35	-5V/20mA	DW2
SPDT005020C6H001	0.5-2	1	60	1CW	1.6	300	-15V/60mA	DW26
SPDT005020R6H010	0.5-2	1.5	60	10	1.5	300	-12V/40mA	DW3/DW6
SPDT005025R6H050	0.5-2.5	0.8	55	50	1.5	1000	-28V/40mA	DW4/DW6
SPDT005025R5H100	0.5-0.25	1.2	50	100	1.7	8000	-28V/40mA	DW4
SPDT005030R4H100	0.5-3	0.8	45	100	1.4	800	-60V/40mA	DW4/DW6
SPDT005040R4H100	0.5-4	0.8	45	100	1.5	800	-60V/40mA	DW4
SPDT005040H100	0.5-4	0.8	45	100	1.5	1.25us	-60V/40mA	DW4
SPDT008022R4H030	0.8-2.2	1	40	30	/	/	-28V/40mA	DW4
SPDT009013R5H100	0.9-1.3	0.8	55	100	1.5	8000	-280V/50mA	DW4
SPDT009012R3H030	0.962-1.213	0.9	35	30	1.4	2.5us	+12V/200mA	DW37
SPDT009012R4H030	0.962-1.213	0.5	35	30	1.4	2us	+12V/200mA	DW38
SPDT010020R3H100	1-2	0.5	30	100	1.4	800	-48V/20mA	DW5/DW6
SPDT020040R2H004	2-4	1	25	36dBm	1.3	300	-5V/50mA	DW12
SPDT020040R6H010	2-4	1.9	60	10	1.5	800	-12V/40mA	DW5/DW6
SPDT020040R3H100	2-4	0.6	30	100	1.5	800	-12V/20mA	DW5/DW6

Part Number	Frequency Range (GHz)	Insertion Loss (dB Max)	Isolation (dB.min)	Power Handling (watt)	VSWR Max	Switch Time(ns)	DC Power Supply@ +5VDC	Case Type
SPDT020040R3H120	2-4	0.6	30	120	1.7	400	-48V/50mA	DW19
SPDT020040R4H010	2-4	1.2	40	10CW	1.6	300	-18V/40mA	DW33
SPDT020040R5H010	2-4	1.5	50	10	1.6	400	-15V/10mA	DW35
SPDT020060R4H050	2-6	0.8	35	50	1.7	800	-60V/10mA	DW5/DW6
SPDT020060R4H100	2-6	0.8	35	100(Typ)	1.7	800(Typ.)	-60V/10mA	DW17
SPDT020180R5H001	2-18	2.8	50	1CW	2	35	-5V/20mA	DW2
SPDT020180R6H001	2-18	3.5	60	1	2	100	-15V/40mA	DW1
SPDT180020R6H001	2-18	3.8	60	30dBm	2	200	--15V/100mA	DW2
SPDT027030R3H300	2.7-3	0.8	30	300	1.4	800	60V/40mA	DW5/DW6
SPDT030080R5H200	3-8	0.5	50	200	1.25	800	-28V/50mA	TBD
SPDT040080R3H025	4-8	1.2	30	25	1.5	1.5us	-24v/100mA	DW36
SPDT040080R2H100	4-8	1	28	100	1.7	300	-48V/20mA	DW5/DW6
SPDT040080R3H120	4-8	0.65	30	120	1.7	80	-48V/50mA	DW18
SPDT040080R6H010	4-8	2.1	60	10	1.7	2000	-12V/40mA	DW3/DW6
SPDT044050R3H040	4.4-5	1	40	40	1.5	2000	-24V/50mA	DW4
SPDT044050R3H080	4.4-5	1	30	80	1.2	800	-28V/50mA	DW4
SPDT044050R5H020	4.4-5	1.4	50(Max)	20	1.5	500	-15V/100mA	DW39
SPDT050053R6H100	5-5.3	1	60	100(CW)	1.5	1us	+28V/400mA	DW30
SPDT050055R5H100	5-5.5	1	60	100(CW)	1.5	1us	+28V/400mA	DW30
SPDT050055R6H100	5-5.5	1	60	100(CW)	1.5	1us	-60V/10mA	DW29
SPDT050060R4H005	5-6	3.5	40	5CW	1.8	300	-48V/100mA	DW32
SPDT060080R3H020	6-8	1.35	235	20	1.5	500	-15V/40mA	DW35-2
SPDT060180R2H007	6-18	2.8	8	7	2	800	-40V/20mA	DW2
SPDT060180R3H120	6-18	1.8	26	120	1.8	800	-48V/20mA	DW20
SPDT060180R3H070	6-18	1.8	26	70	1.8	800	-48V/20mA	DW5
SPDT060180R3H100	6-18	1.5	28	100	1.8	800	-48V/20mA	DW5
SPDT060180R3H007	6-18	1.8	35	7	1.5	100	-10V/40mA	DW3
SPDT080120R2H120	8-12	1.5	26	120	1.8	800	-48V/50mA	DW17
SPDT080120R2H130	8-12	1.2	25	130	2	800	-28V/50mA	DW17
SPDT080120R3H130	8-12	1.3	35	130(Peak)	1.6	10us	-28V/50mA	DW4
SPDT080120R3H020	8-12	1.2	28	20	1.8	500	-12V/40mA	DW3/DW16
SPDT080120R3H010	8-12	1.6	28	10	1.8	100	-10V/40mA	DW3/DW6
SPDT080120R6H010	8-12	2.5	60	10	1.7	300	-12V/40mA	DW3/DW6

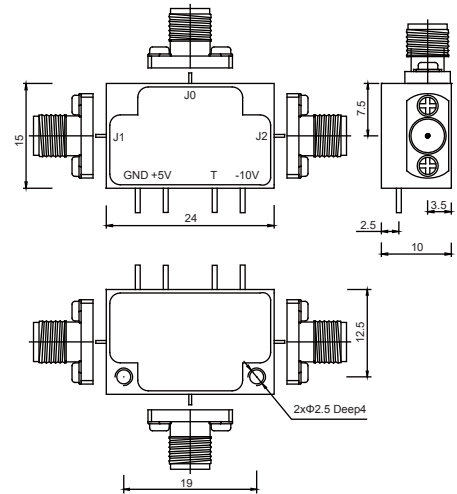


SPDT HIGH POWER PIN SWITCH

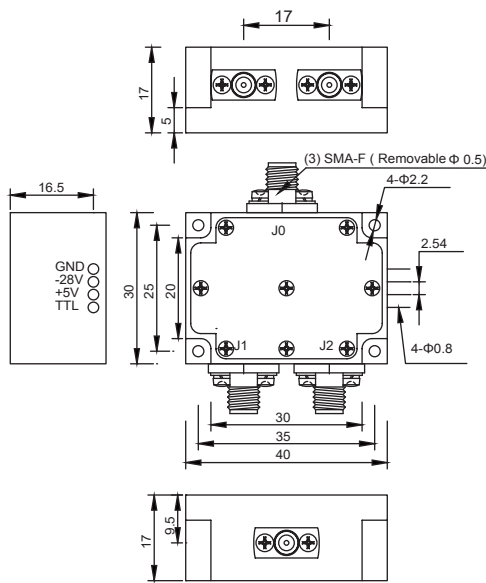
Part Number	Frequency Range (GHz)	Insertion Loss (dB Max)	Isolation (dB.min)	Power Handling (watt)	VSWR Max	Switch Time(ns)	DC Power Supply@ +5VDC	Case Type
SPDT088095R4H040	8.8-9.5	1	40	/	/	5Us	-30mV/50mA	DW6
SPDT090100R5H300	9-10	2	50	25	1.4	100	-10V/40mA	DW3/DW6
SPDT096097R3H100	9.6-9.7	1	30	16	1.6	500	-28V/100mA	DW16
SPDT120180R3H010	12-18	2.2	28	10	1.8	100	-10V/40mA	DW3/DW6



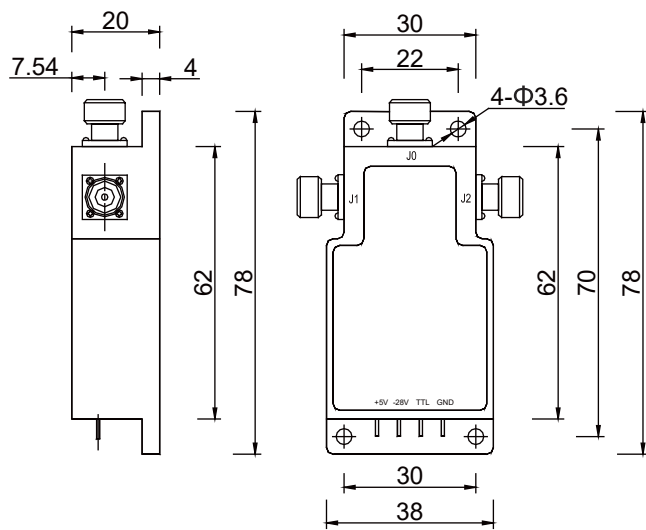
DW1



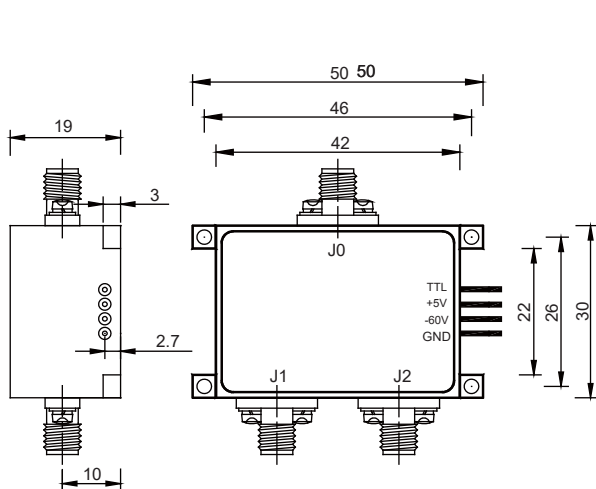
DW3



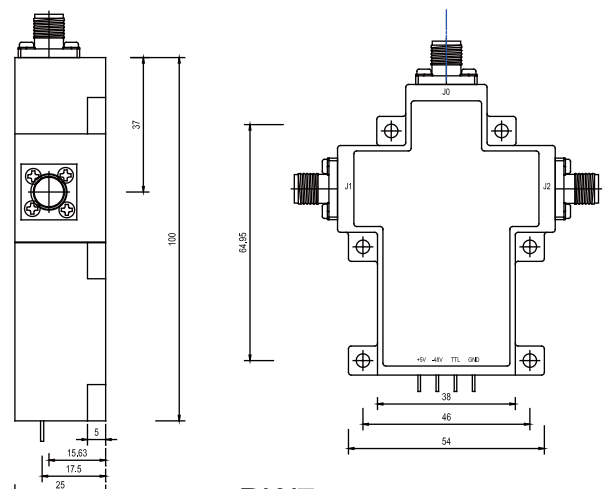
DW4



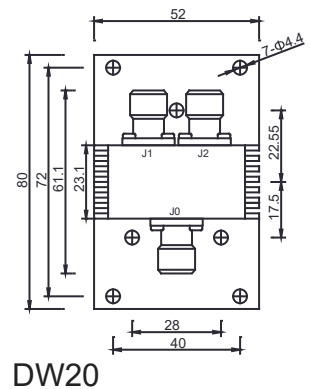
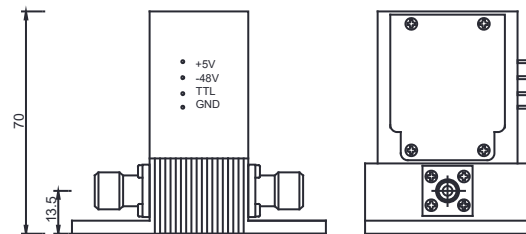
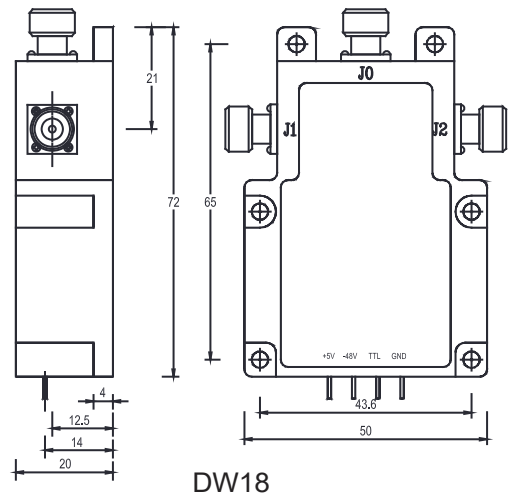
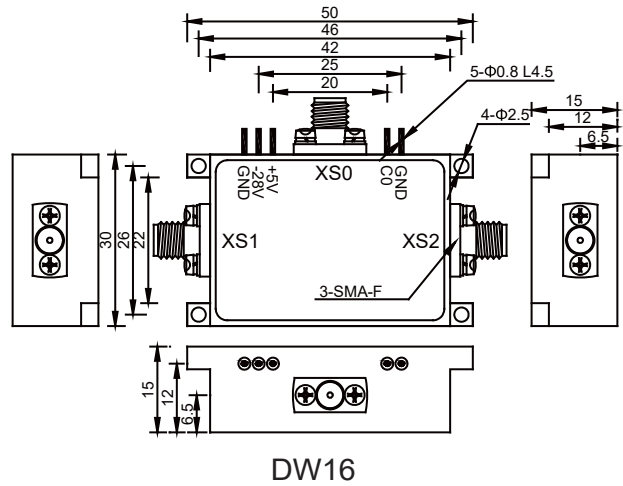
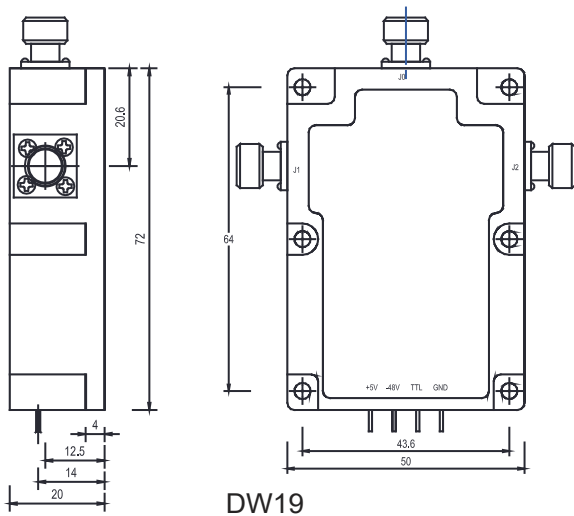
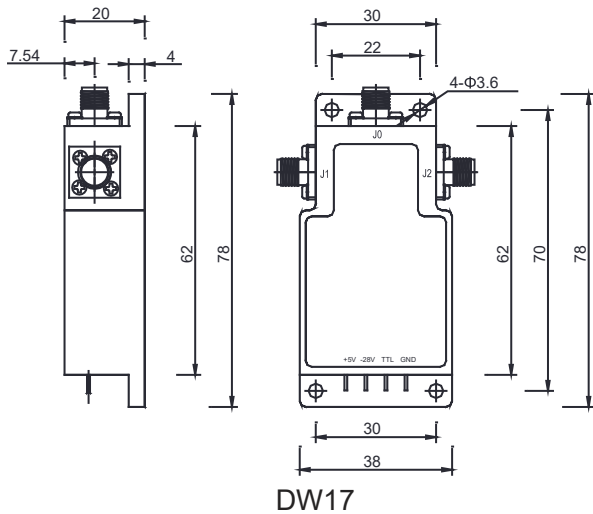
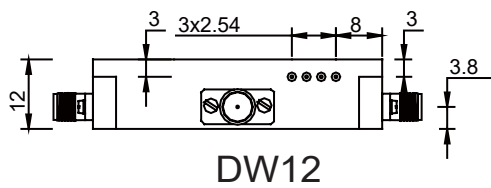
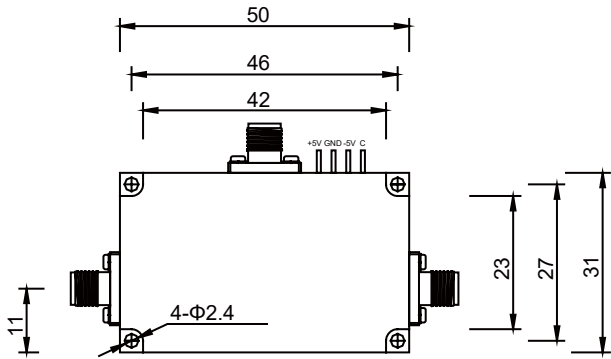
DW5

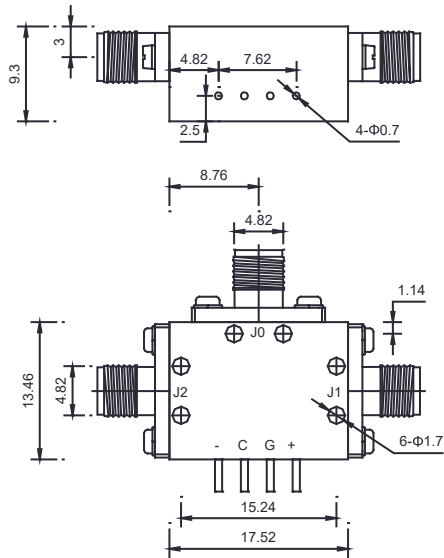


DW6

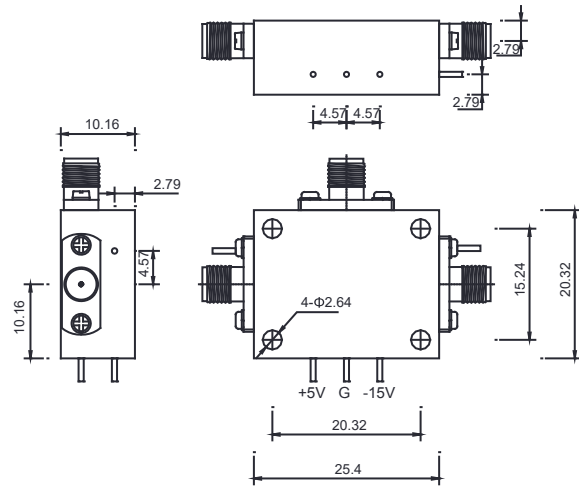


DW7

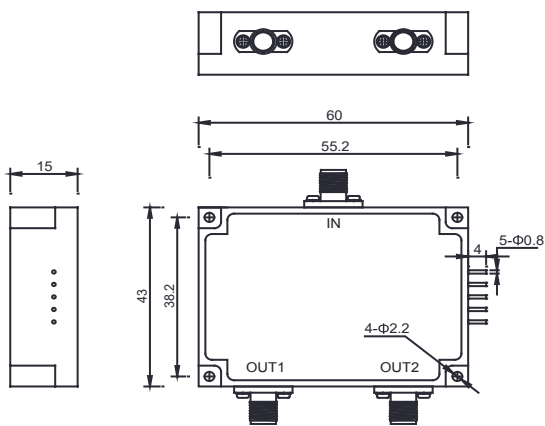




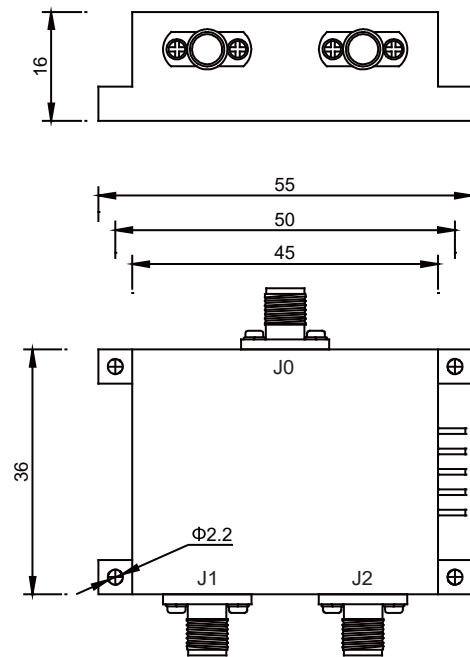
DW24



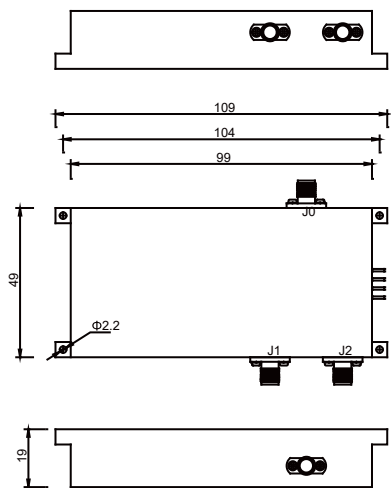
DW26



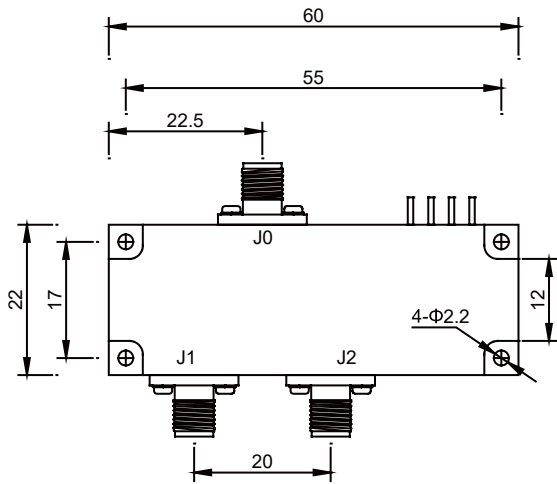
DW28



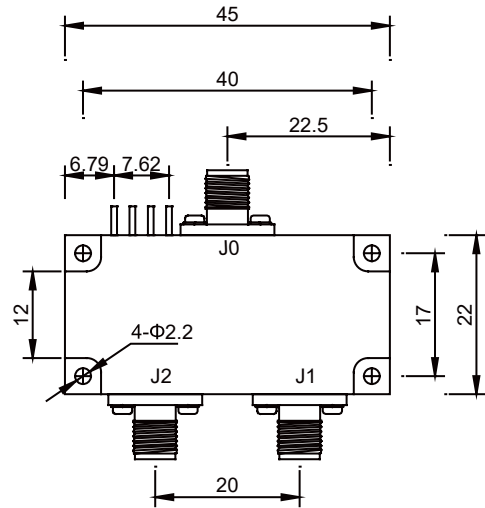
DW29



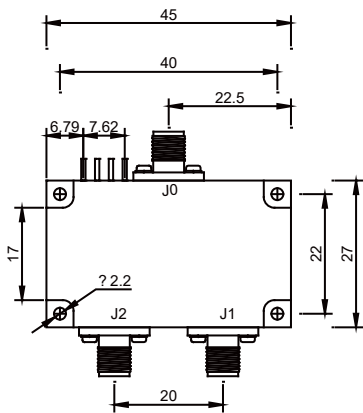
DW30



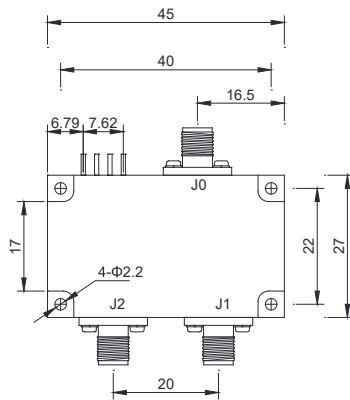
DW32



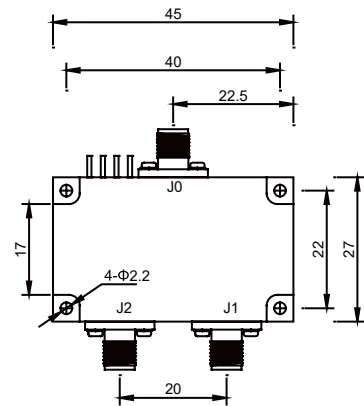
DW33



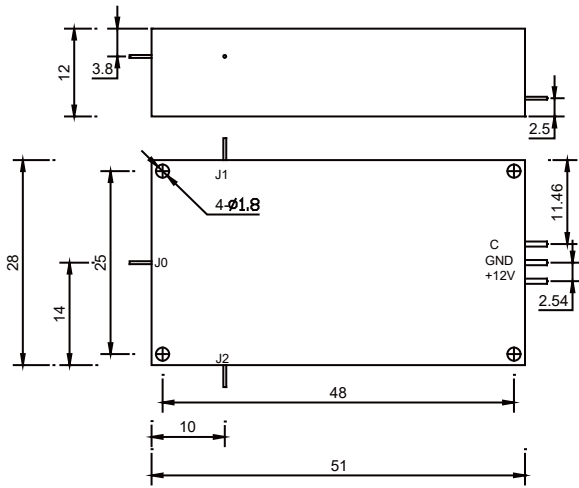
DW35



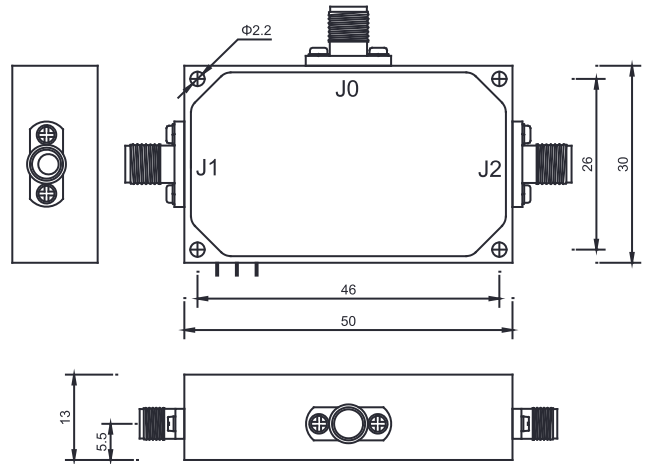
DW35-2



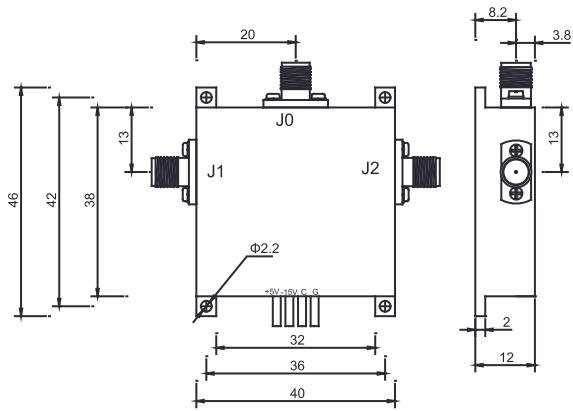
DW36



DW37



DW38



DW39

FEATURE:

- Solid State,Mixture Integrated
- High Speed,Low Loss,High Isolation Integral with Driver
- Field Removable SMA(F) Connector
- Operating Temperature:-55~+85°C
- Contorl:TTL“0”Loss,TTL“1”Isolation

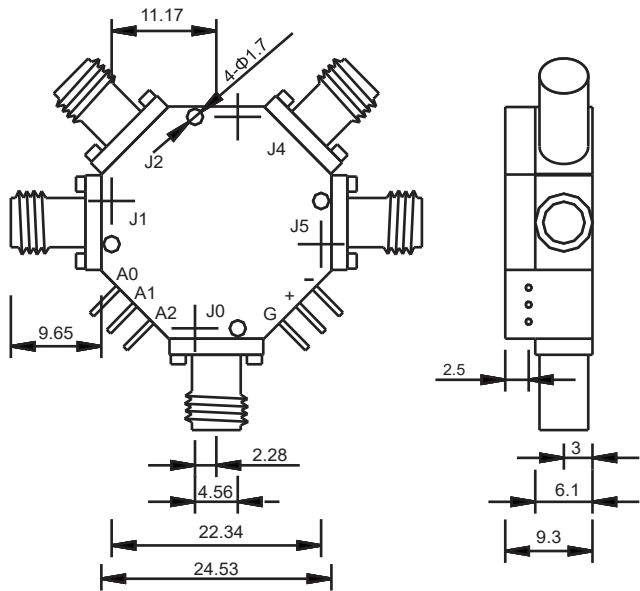


APPLICATION:

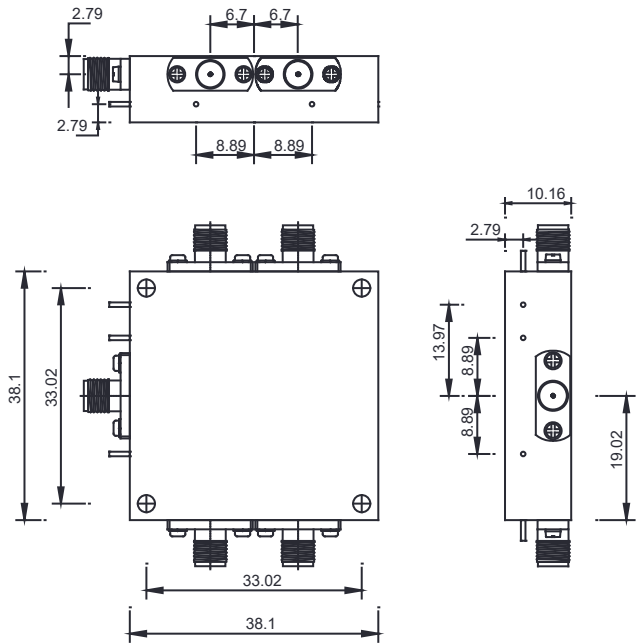
- Test equipment
- Radar&Warfare system
- Communication system

SPECIFICATIONS@25°C:

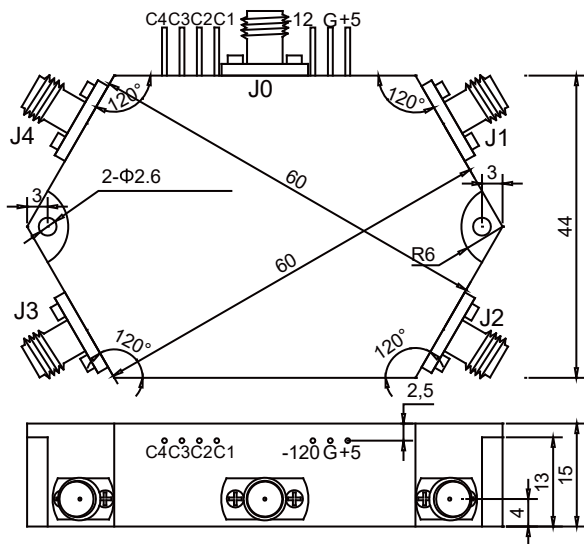
Part Number	Frequency Range (GHz)	Insertion Loss (dB Max)	Isolation (dB.min)	Power Handling (watt)	VSWR Max	Switch Time(ns)	DC Power Supply@ +5VDC	Case Type
SP4T005020C5H001	0.5-2	1.3	55	1CW	1.7	300	-15V/110mA	4W14
SP4T008060R5H010	0.8-6	2.5	45	10	1.8	200	-12V/20mA	4W3/4W4
SP4T008060R5H002	0.8-6	2	50	2	1.8	80	-12V/20mA	4W3/4W4
SP4T010011R5H050	1-1.1	1	50	50	1.5	1-2us	-120V/50mA	4W16
SP4T010020R4H002	1-2	1	40	2	1.6	200	500mA	4W12
SP4T010020R4H025	1-2	1.6	40	25	1.8	1us	-24V/500mA	4W23
SP4T010020C4H002	1-2	1.2	40	2	1.6	200	-5V/100mA	4W13
SP4T010180R4H010	1-18	4	40	10	2.2	300	500mA	4W1
SP4T014018R3H100	1.4-1.8	1.2	30	100	1.5(Typ)	0.1ns-5us	+5V;+28V	4W18
SP4T020025R4H150	2-2.5	1.5	40	150	1.5	10us	-32V/100mA	4W9
SP4T020060R4H015	2-6	2.5	40	15	2	1us	-24V/500mA	4W23
SP4T020180R8H001	2-18	3.8	80	1CW	2	200	-5V/100mA	4W12
SP4T020180C8H001	2-18	3.9	80	1CW	2	200	-5V/mA	4W13
SP4T020180R7H001	2-18	4.2	70	1CW	2.1	200	-5V/100mA	4W13
SP4T022023R3H010	2.2-2.3	1.2	37	10CW	11.6	3ms	+28V/1A	4W20
SP4T040055R5H020	4-5.5	1.5	50	20	.5	1.5us	-30v/100mA	4W9
SP4T040055R8H020	4-5.5	2	80	20	1.6	2us	-12V/40mA	4W8
SP4T060180R4H015	6-18	3.8	40	15	2.5	1us	-24V/500mA	4W23
SP4T080120R5H001	8-12	3.2	50	1	2	150	+5V/800mA	4W1



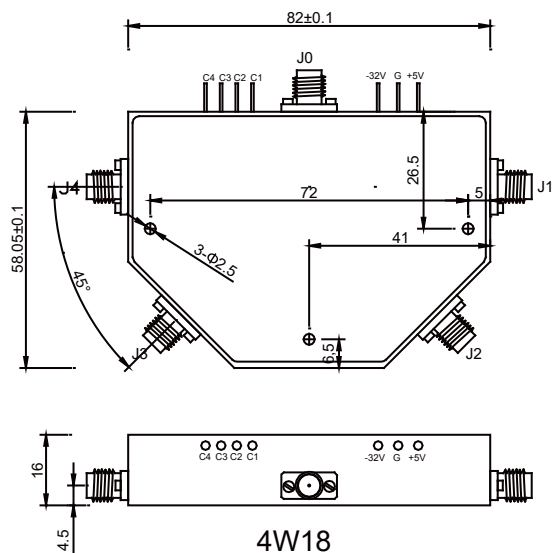
4W13



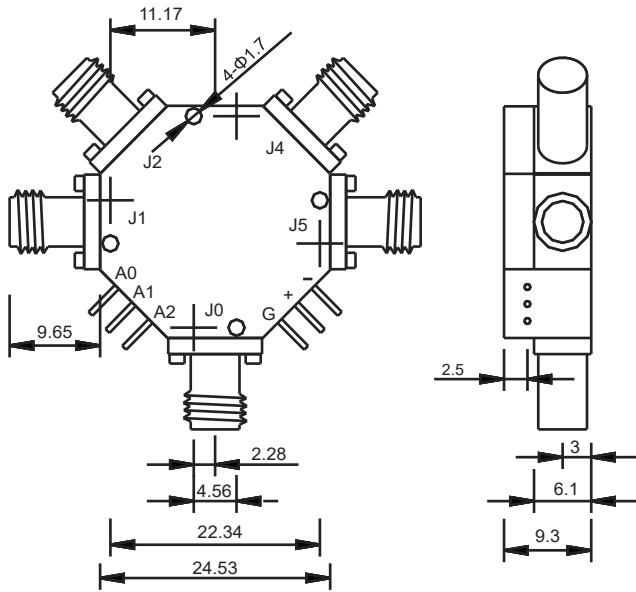
4W14



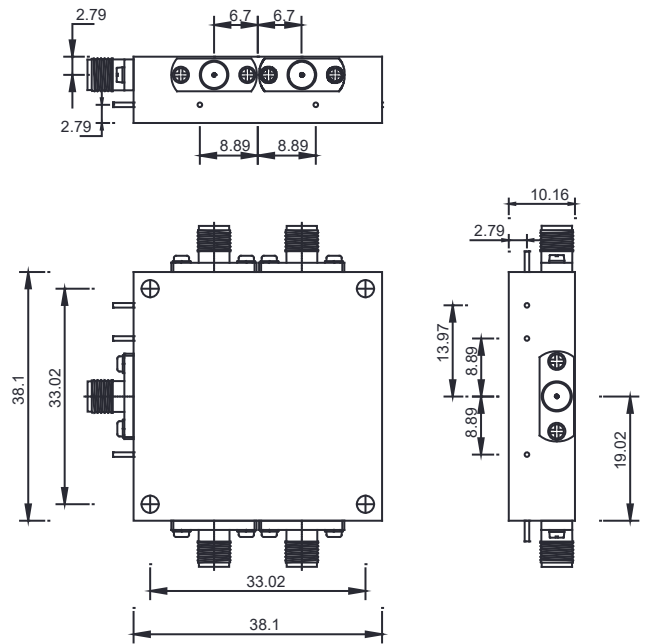
4W16



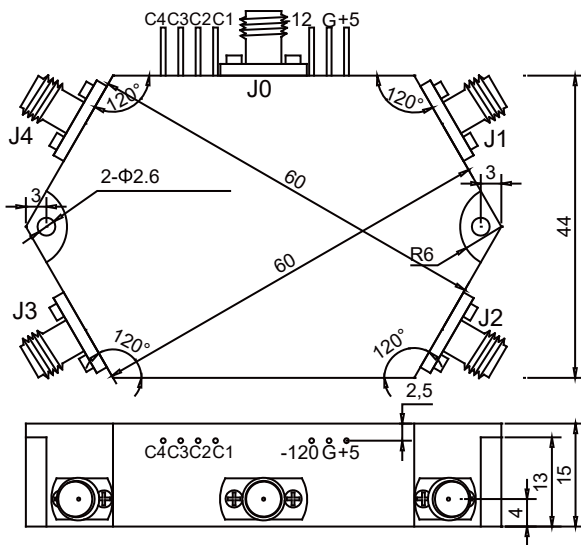
4W18



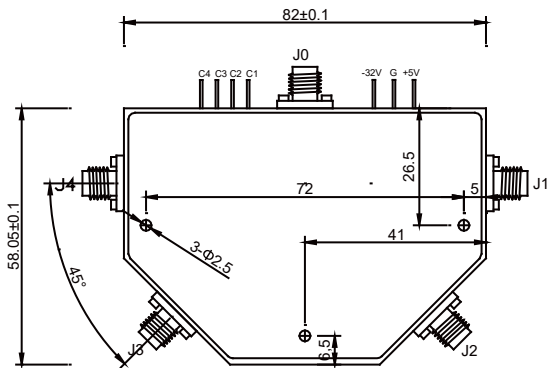
4W13



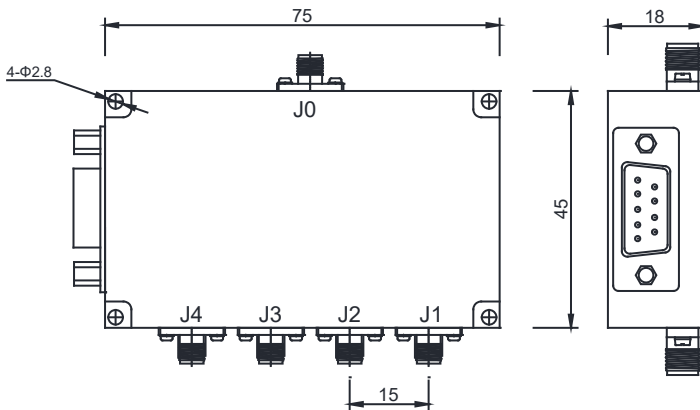
4W14



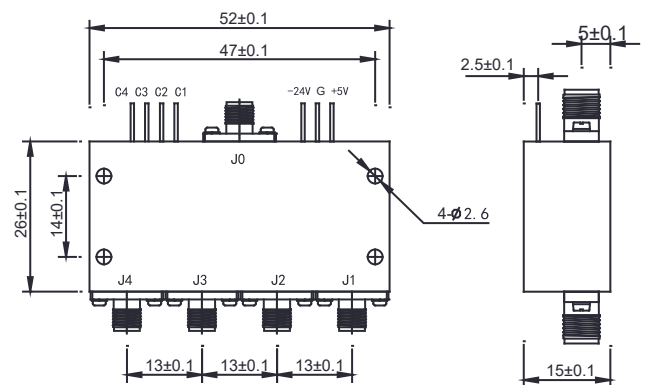
4W16



4W18



4W20



4W23

FEATURE:

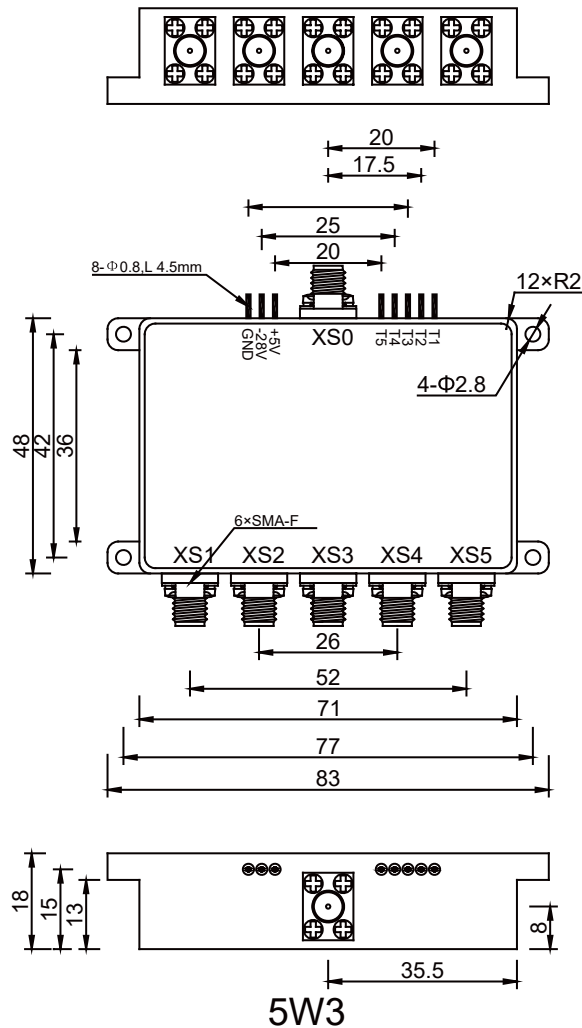
- Solid State,Mixture Integrated
- High Speed,Low Loss,High Isolation Integral with Driver
- Field Removable SMA(F) Connector
- Operating Temperature:-55~+85°C
- Contorl:TTL“0”Loss,TTL“1”Isolation

APPLICATION:

- Test equipment
- Radar&Warfare system
- Communication system

SPECIFICATIONS@25°C:

Part Number	Frequency Range (GHz)	Insertion Loss (dB Max)	Isolation (dB.min)	Power Handling (watt)	VSWR Max	Switch Time(ns)	DC Power Supply@ +5VDC	Case Type
SP5T040050R3H025	4-5	2	30	25	1.5	10us	-28V/200mA	5W3





SP6T REFLECTIVE HIGH POWER PIN SWITCH

FEATURE:

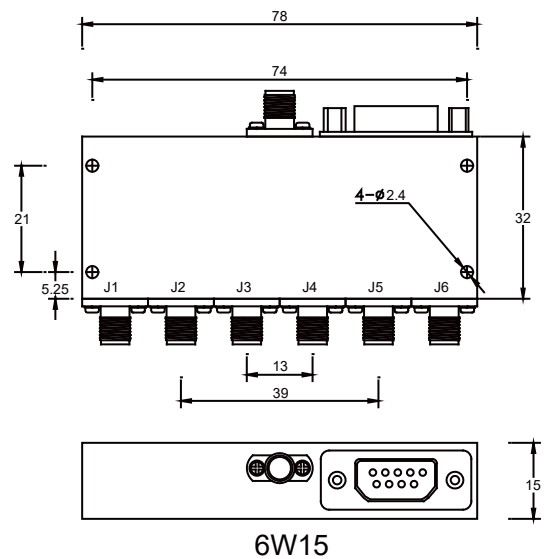
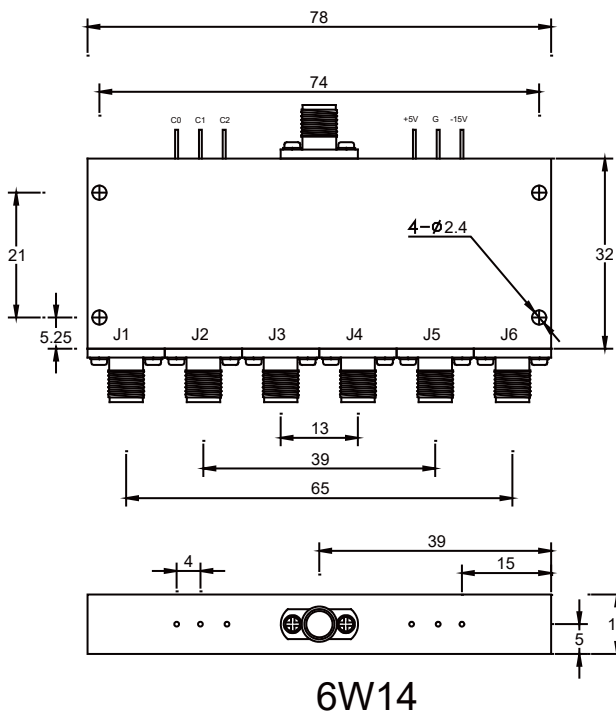
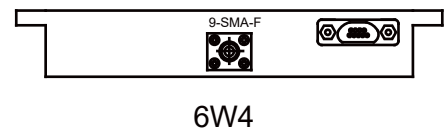
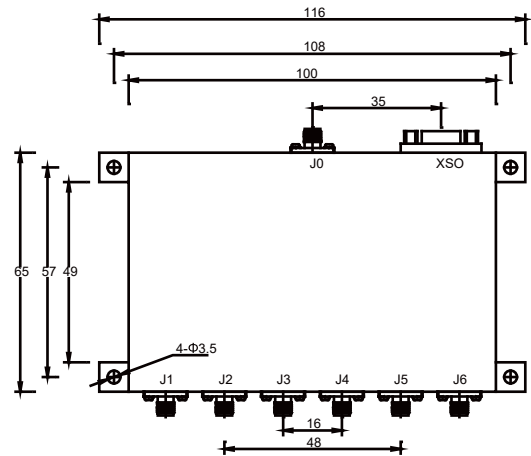
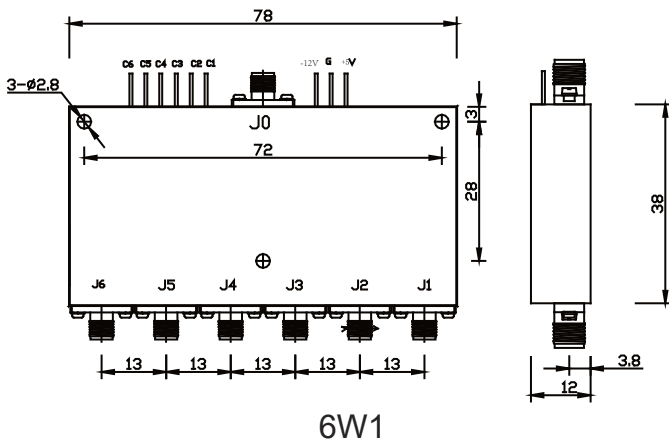
- Solid State,Mixture Integrated
- High Speed,Low Loss,High Isolation Integral with Driver
- Field Removable SMA(F) Connector
- Operating Temperature:-55~+85°C
- Control:TTL“0”Loss,TTL“1”Isolation

APPLICATION:

- Test equipment
- Radar&Warfare system
- Communication system

SPECIFICATIONS@25°C:

Part Number	Frequency Range (GHz)	Insertion Loss (dB Max)	Isolation (dB.min)	Power Handling (watt)	VSWR Max	Switch Time(ns)	DC Power Supply@ +5VDC	Case Type
SP6T010180R4H010	1-18	4.5	40	10	2.2:1	300	-24V/50mA	6W1
SP6T013016R5H020	1.3-1.6	1.8	50	20	1.65	2us	-24V/50mA	6W15
SP6T013016R6H005	1.3-1.6	1.6	60	5	1.6	160	-15V/50mA	6W14
SP6T040055R3H005	4-5.5	1.4	35	5	1.65	200	-12V/50mA	6W1
SP6T044050R3H005	4.4-5	1.4	35	5	1.5	2us	-28V/100mA	6W4





SP8T ABSORPTIVE HIGH POWER PIN SWITCH

FEATURE:

- Solid State,Mixture Integrated
- High Speed,Low Loss,High Isolation Integral with Driver
- Field Removable SMA(F) Connector
- Operating Temperature:-55~+85°C
- Contorl:TTL“0”Loss,TTL“1”Isolation

APPLICATION:

- Test equipment
- Radar&Warfare system
- Communication system

SPECIFICATIONS@25°C:

Part Number	Frequency Range (GHz)	Insertion Loss (dB Max)	Isolation (dB.min)	Power Handling (watt)	VSWR Max	Switch Time(ns)	DC Power Supply@ +5VDC	Case Type
SP8T020040A4H002	2-4	2.1	40	33(dB)	1.4	100	-5V/30mA	8W4

FEATURE:

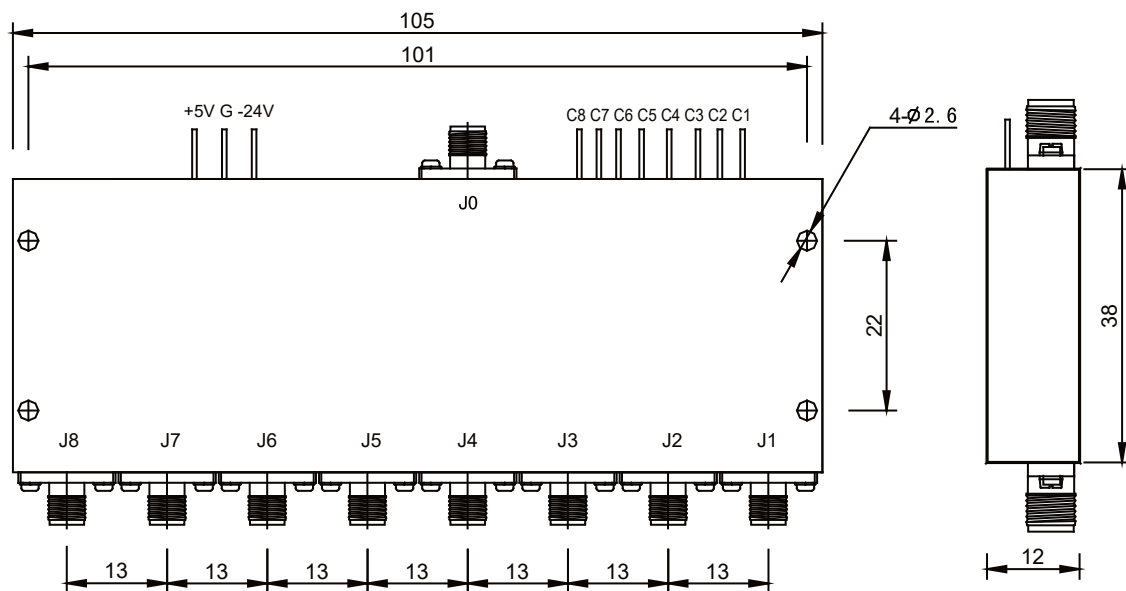
- Solid State,Mixture Integrated
- High Speed,Low Loss,High Isolation Integral with Driver
- Field Removable SMA(F) Connector
- Operating Temperature:-55~+85°C
- Contorl:TTL“0”Loss,TTL“1”Isolation

APPLICATION:

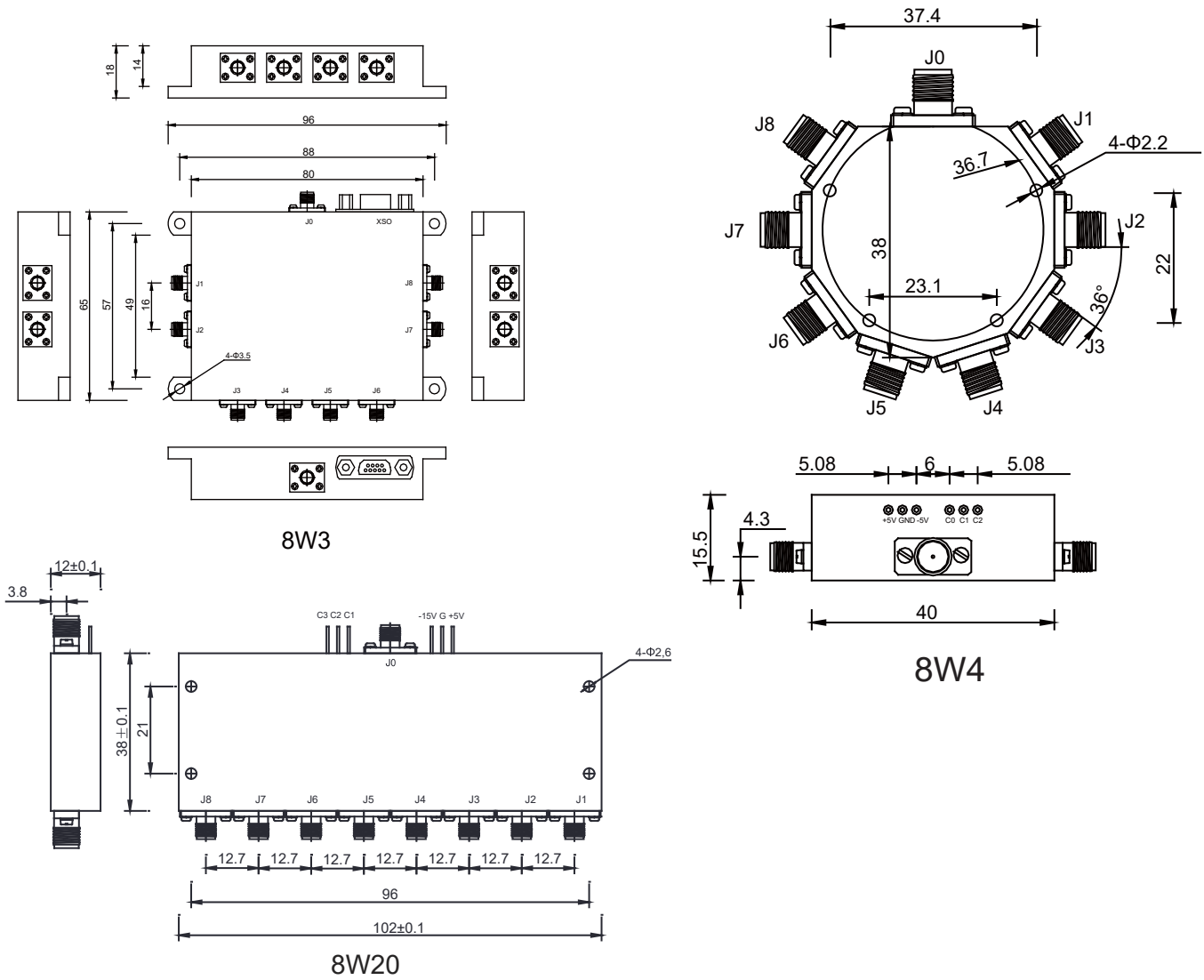
- Test equipment
- Radar&Warfare system
- Communication system

SPECIFICATIONS@25°C:

Part Number	Frequency Range (GHz)	Insertion Loss (dB Max)	Isolation (dB.min)	Power Handling (watt)	VSWR Max	Switch Time(ns)	DC Power Supply@ +5VDC	Case Type
SP8T010180R4H010	1-18	5.5	40	10	2.2	300	-24V/500mA	8W1
SP8T044050R3H050	4.4-5	1.8	30	50	1.5	2us	-48V//100mA	8W3
SP8T044050R5H005	4.4-5	2.2	55	5	1.6	500	-15V/60mA	8W20
SP8T044060R3H050	4.4-6	1.8	30	50	2.2	2us	-48V//10mA	8W3



8W1



FEATURE:

- Solid State,Mixture Integrated
- High Speed,Low Loss,High Isolation Integral with Driver
- Field Removable SMA(F) Connector
- Operating Temperature:-55~+85°C
- Contorl:TTL“0”Loss,TTL“1”Isolation

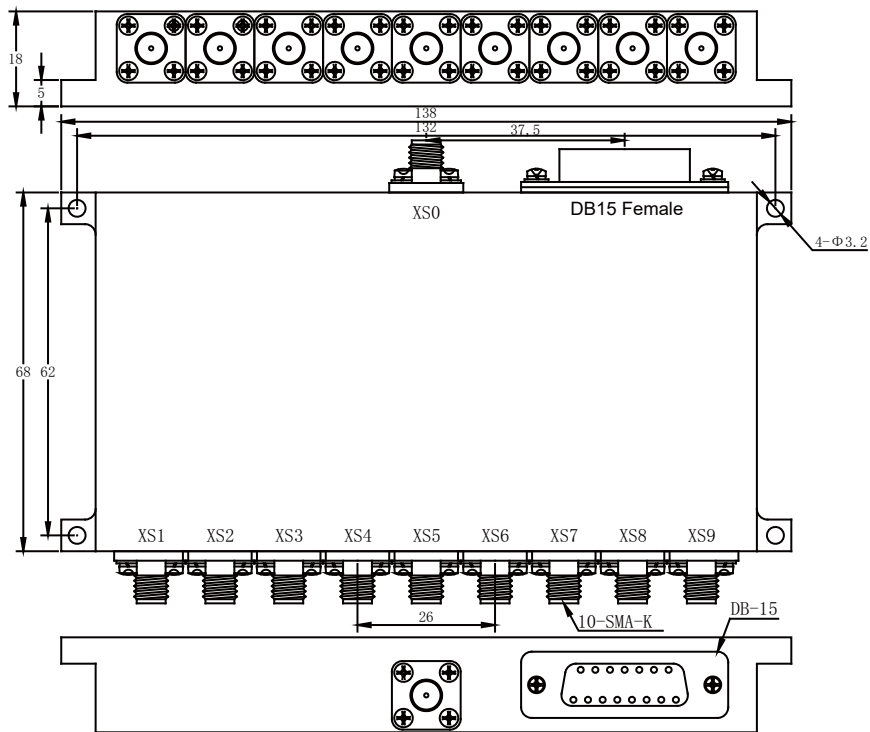


APPLICATION:

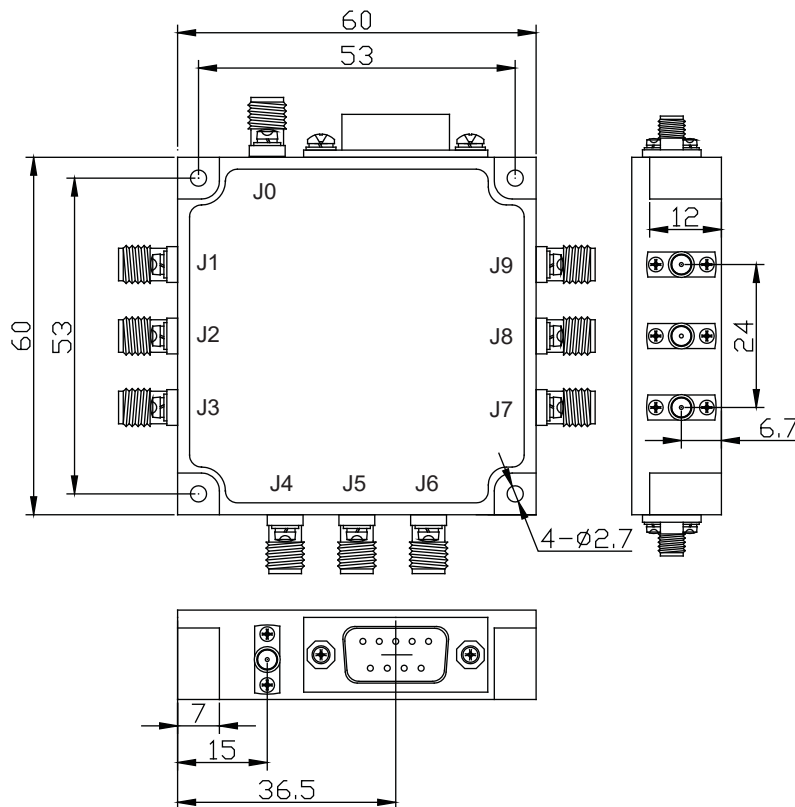
- Test equipment
- Radar&Warfare system
- Communication system

SPECIFICATIONS@25°C:

Part Number	Frequency Range (GHz)	Insertion Loss (dB Max)	Isolation (dB.min)	Power Handling (watt)	VSWR Max	Switch Time(ns)	DC Power Supply@ +5VDC	Case Type
SP9T105095R4H100	0.95-1.05	1.2	45	100	1.5	750	-15V//50mA	9W3/9W6
SP9T095105R4H100	0.95-1.05	1.2	45	100	1.5	750	-48V//50mA	9W3/9W4
SP9T108115R2H010	10.8-11.5	2	20	10	2	5	-24V//50mA	9W3/9W4



9W3



9W4



SP9T REFLECTIVE HIGH POWER PIN SWITCH

