

FEATURES

- LOW Cost, High Quality
- Compact Size, Light Weight
- High Performance
- Wide Operation Temperature Range
- Octave and Multi-octave Bands

APPLICATIONS

- Load isolation
- Module integration



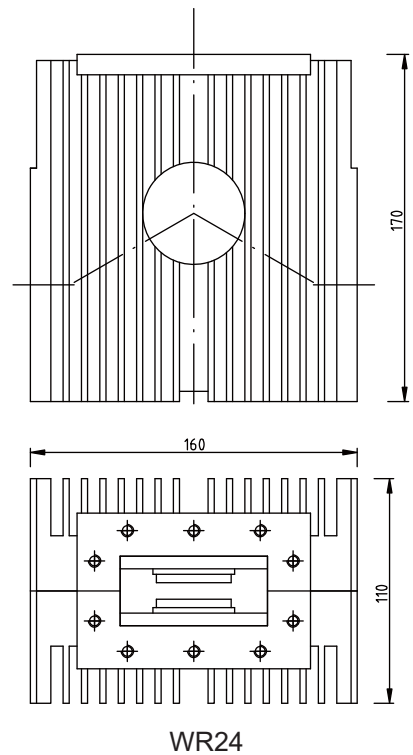
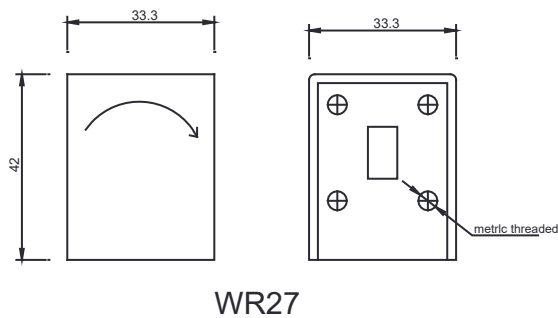
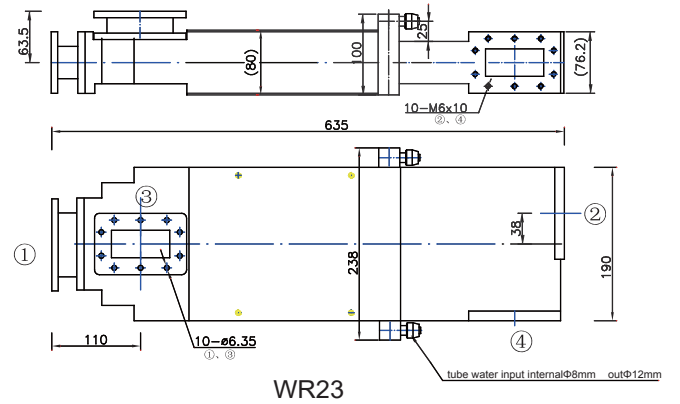
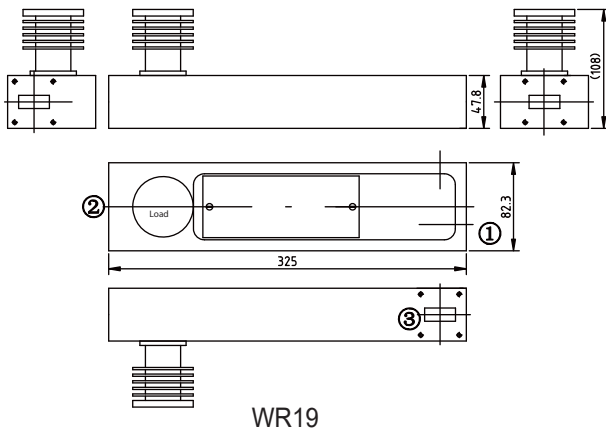
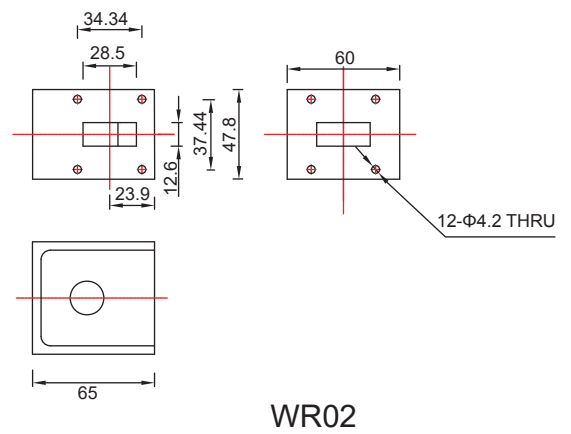
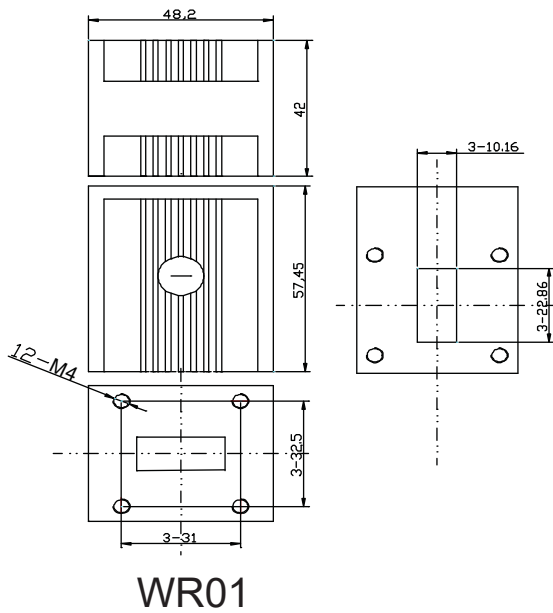
SPECIFICATIONS@25°C:

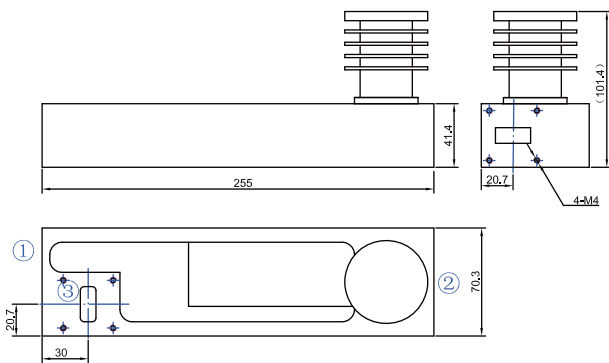
Part Number	Frequency Range (GHz)	Band Width (MHz)	Insertion Loss (dB)	Isolation (dB.Max)	VSWR (Max)	Operating Temperature	Power Handling (W.Avg)	Connector Type	Size LxWxH(mm)	Case Type
WIR02850001H025K	2.851-2.861	10	0.2	20	/	+24~+45	25KW	/	TBD	TBD
WIR02850010H030K	2.851-2.861	Full	0.15	30	1.1	-20~+50	30KW	CPR284F	686*288*200	WR32
WIR029031H002K	2.9-3.1	Full	0.2	20	1.15	-40~+80	2KW	WR284(FDM32)	160*110*170	WR24
WIR029031H005K	2.9-3.1	Full	0.3	23	1.15	-40~+80	5KW	FDP32	635*190*76.2	WR23
WIR044050H001K	4.4-5	Full	0.25	21	1.2	-20~+50	1KW	UG1353/U	110*115*63.5	WR41
WIR044050H002K	4.4-5	Full	0.25	21	1.2	-20~+50	2KW	UG1353/U	110*115*63.5	WR41
WIR052057H320	5.25-5.75	Full	0.3	23	1.15	-20~+60	320	WR187 Flange: UG1729/U	500*140*64	WR36
WIR054057H200	5.4-5.78	Full	0.3	26	1.15	-15~+60	200	WR187	600*140*316	WR44
WIR054057H001K	5.4-5.7	Full	0.4	30	1.15	-30~+55	1KW	/	500*140*64	WR42
WIR054059H006K	5.4-5.9	Full	0.4	21	1.2	-30~+55	6KW	WR187	670*140*331	WR39
WIR056056H001K	5.6-5.65	Full	0.4	30	1.15	-30~+85	1KW	/	500*140*64	WR42
WIR069070H002K	6.9-7	Full	0.3	21	1.2	-20~+45	2.5KW(CW)	Flange: UG138/U	325*82.3*47.8	WR33
WIR076083H010K	7.68-8.31	Full	0.3	21	1.2	-20~+45	10KW(Pulse)	Flange: UG138/U	325*82.3*47.8	WR33
WIR077083H005K	7.7-8.3	Full	0.3	21	1.3	-20~+50	5KW(CW)	Flange: UG138/U	340*90*48	WR34
WIR077083H012K	7.7-8.3	Full	0.3	21	1.2	-20~+50	12KW	Flange: UG138/U	325*82.3*47.8	WR33
WIR078084H350	7.8-8.4	600	0.4	23	1.25	-55~+85	350	WR112	60*65*47.8	WR02/WR01
WIR079085H200	7.9-8.5	Full	0.5	20	1.2	-40~+80	200	FPD-84/WR112	325*82.3*47.8	WR19
WIR085087H240	8.5-8.75	Full	0.3	23	1.15	-20~+60	240	WR122 Flange: UG138/U	325*82.3*47.8	WR33
WIR085092H200	8.5-9.2	Full	0.5	20	1.25	-40~+80	200	FPD-84/WR112	325*82.3*47.8	WR19
WIR085095H060K	8.5-9.5	Full	0.3	21	1.2	-20~+60	60KW	WR90/UG135/U	53*59*60	WR38
WIR086095H020K	8.6-9.5	Full	0.3	30	1.11	-20~+65	400	WR90	225*126*69.26	WR13
WIR086095H600K	8.6-9.5	Full	0.3	30	1.5	-20~+60	600	WR90/UG135/U	255*70.3*41.4	WR29
WIR086096H400	8.6-9.6	Full	0.3	23	1.2	-20~+60	400(Pulse)	WR90/UG135/U	48*53*42	WR37



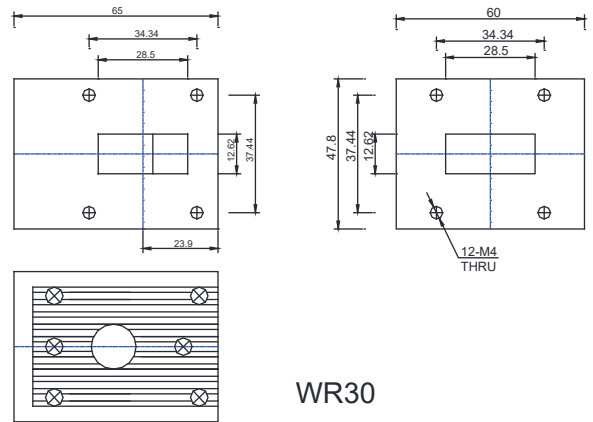
WAVEGUIDE HIGH POWER CIRCULATOR CIRCULATOR

Part Number	Frequency Range (GHz)	Band Width (MHz)	Insertion Loss (dB)	Isolation (dB.Max)	VSWR (Max)	Operating Temperature	Power Handling (W.Avg)	Connector Type	Size LxWxH(mm)	Case Type
WIR089095H010K	8.9-9.5	Full	0.45	20	1.25	-20~+60	1	FBP100	278*49*41.4	WR47
WIR089096H050	8.9-9.6	Full	0.3	23	1.15	-40~+60	50	Flange is UG135/U	53*48*42	WR13
WIR090093H150K	9-9.3	Full	0.4	20	1.15	-40~+80	200	WR90	225*126*69.26	WR37
WIR090095H250	9.0-9.5	500	0.3	20	1.2	-40~+70	250	WR112	60*65*47.8	WR30
WIR090100H300	9-10	Full	0.45	40	1.2	-20~+60	100(CW)	WR90/UG135/U	96*53*42	WR35
WIR091094H300	9.1-9.4	Full	0.3	23	23dB	-30~+60	300	WR90 UG135/U	59*53*60	WR40
WIR091095H270K	9.16-9.58	full	0.3	20	1.15	-20~+60	150	WR90/UG135/U	255*70.3*41.4	WR31
WIR092097H200	9.2-9.7	full	0.5	20	1.2	-40~+80	200	FPD-84/WR112	325*82.3*47.8	WR19
WIR092097H500	9.2-9.7	Full	0.3	21	1.15	-20~+60	500	Flange is UG135/U	255*70.3*163.4	WR45
WIR093094H012K	9.3-9.4	Full	0.3	23	1.15	-40~+60	12KW(FWD)	Flange is UG135/U	53*48*42	WR37
WIR094098H150	9.4-9.8	400	0.4	40	1.15	-40~+80	150	WR75	36*90*33	WN01/WR01
WIR169173H300	16.9-17.3	Full	0.4	23	1.15	-20~+60	50	FBP140	33.3*42*33.3	WR27
WIR173184H110	17.3-18.4	Full	0.35	21	1.2	-20~+50	110	WR51	30.2*37*30.2	WR46
WIR265400H050	26.5-40	Full	0.6	17	1.35	-20~+45	50	WR28	22.1*25.5*21	WR43

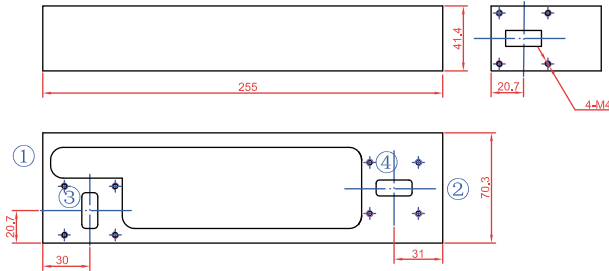




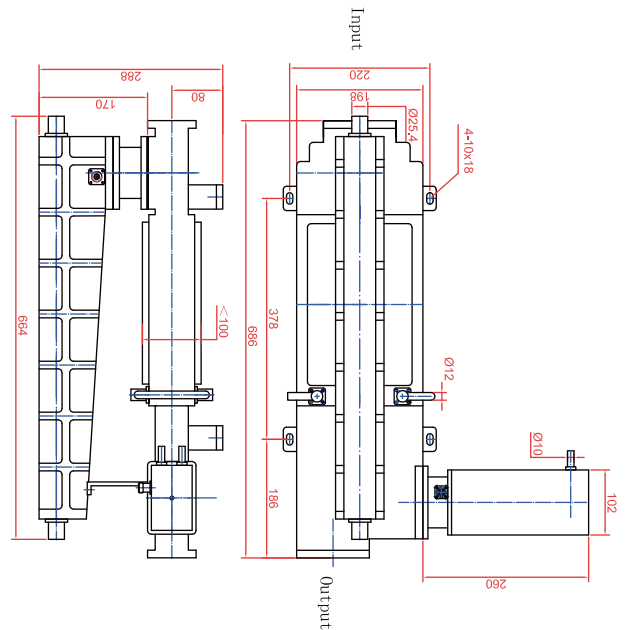
WR29



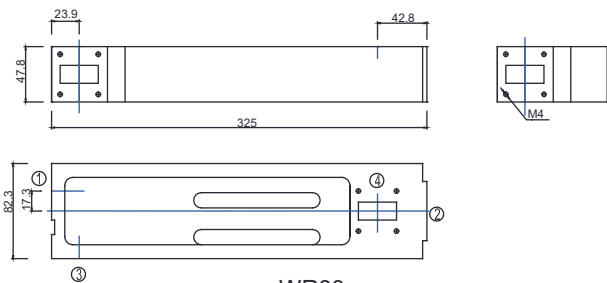
WR30



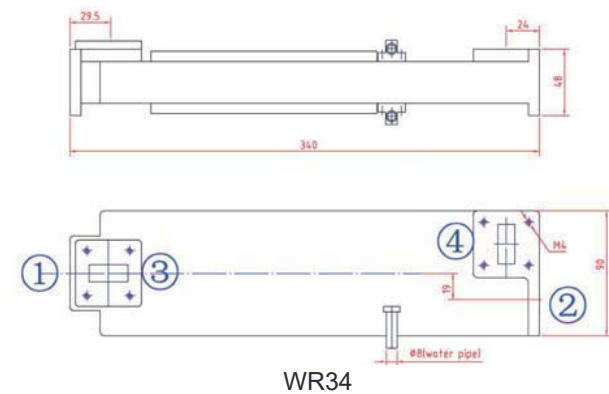
WR31



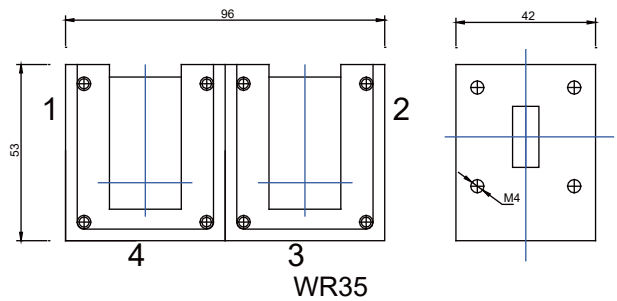
WR32



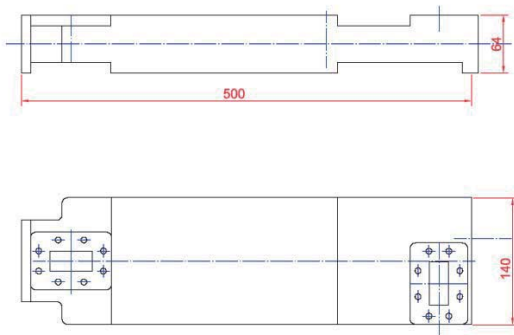
WR33



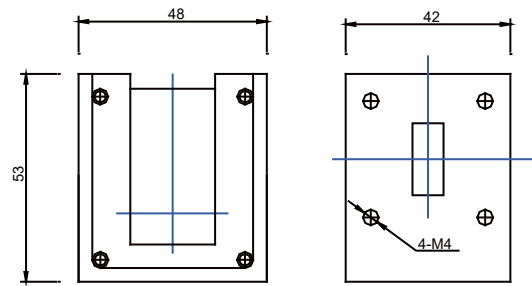
WR34



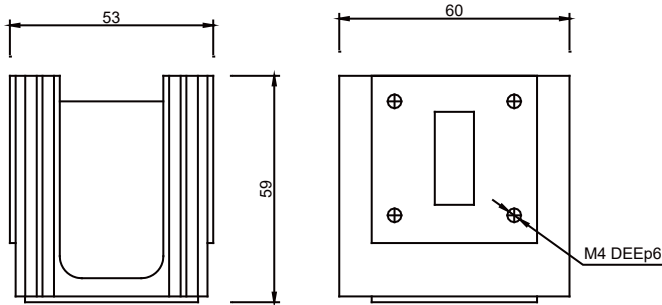
WR35



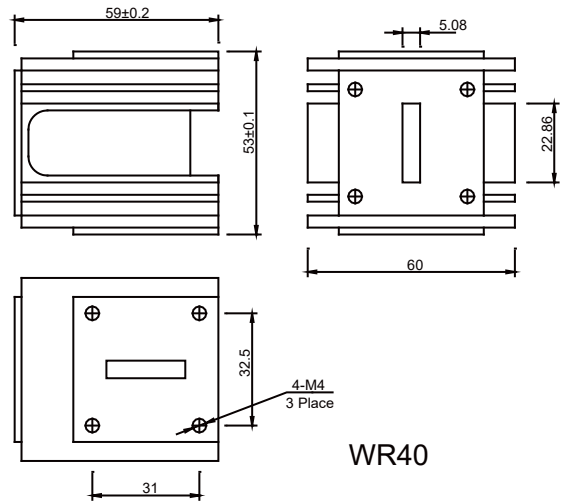
WR36



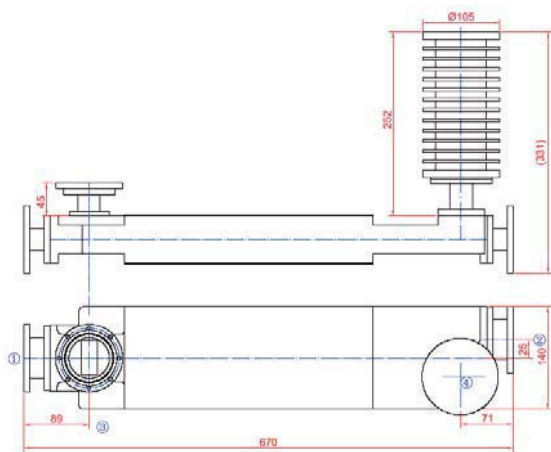
WR37



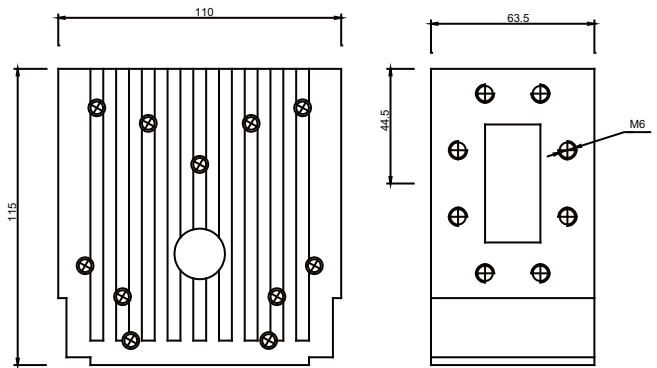
WR38



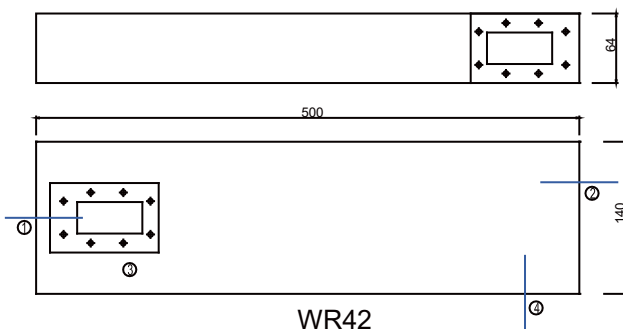
WR40



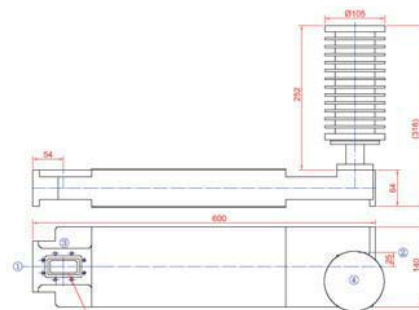
WR39



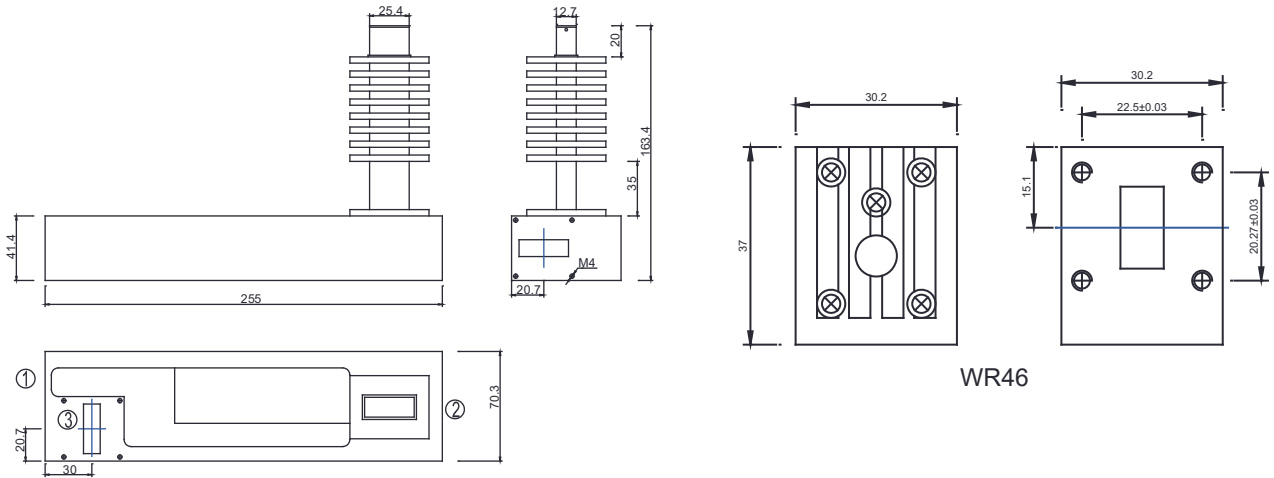
WR41



WR42

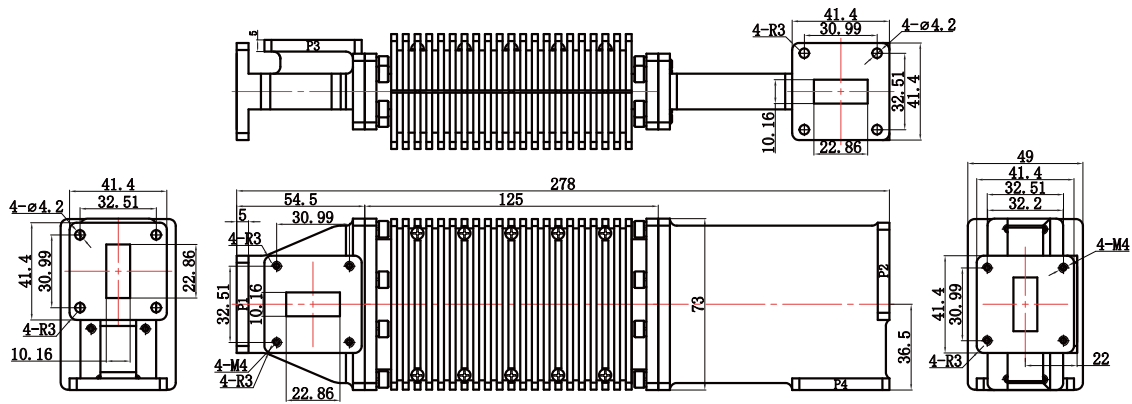


WR44



WR45

WR46



WR47