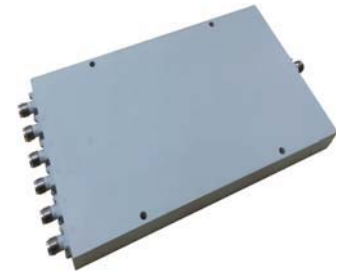


FEATURE

- Operating Frequency: 0.5~18GHz
- Stable Performance and High Reliability
- High Isolation
- Low Insertion Loss
- Small Phase & Amplitude Errors
- Operating Temperature: -55~+85°C



APPLICATIONS

- Communication system
- Radar & Warfare system
- Test Equipment

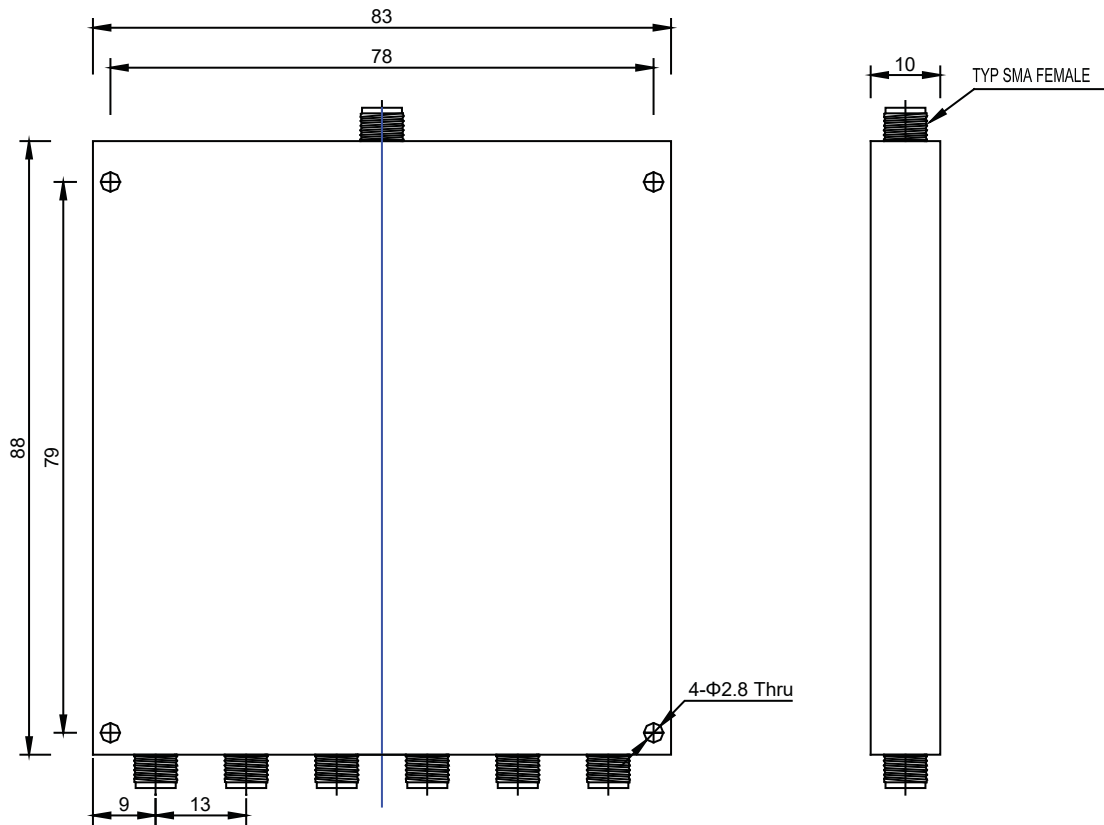
SPECIFICATIONS@25°C:

Part Number	Frequency Range (GHz)	Isolation (dB.Max)	Insertion Loss (dB)	VSWR Input (Max)	VSWR Output (Max)	Phase Balance (deg.Max)	Amplitude Balance (dB.Max)	Power Handling (W.Avg)	Way	Case Type
MPD001002S6L	0.001-0.2	20	0.7	1.4	1.25	3	0.3	30	6	6D1/6D2
MPD005020S6M	0.5-2	18	1.9	1.5	/	7	0.6	20	6	6D3
MPD005020S6L	0.5-2	20	1.2	1.4	1.25	4	0.3	30	6	6D1/6D2
MPD005080S6L	0.5-8	14	5.6	1.9	1.8	12	1	30	6	6D11
MPD006027S6L	0.698-2.7	20	1.2	1.3	/	5	0.5	50	6	6D1/6D2
MPD007027N6M	0.7-2.7	20	1.3	1.4	/	7	0.7	30	6	6D5
MPD007027S6M	0.7-2.7	20	1.3	1.4	/	7	0.7	30	6	6D1/6D2
MPD008025S6L	0.8-2.5	20	1.1	1.4	1.25	8	0.5	50	6	6D1/6D2
MPD008025S6M	0.8-2.5	20	1.1	1.4	1.25	6	0.5	100	8	6D1/6D2
MPD008025S6H	0.8-2.5	20	1.1	1.4	1.3	5	0.6	100	6	6D1/6D2
MPD008025S6I	0.8-2.5	20	1.2	1.4	/	7	0.7	30	6	6D1/6D2
MPD008060S6M	0.8-6	15	2.8	1.8	1.6	15	1.2	30	6	6D1/6D2
MPD008009S6L	0.89-0.96	20	1	1.4	1.3	2	0.2	30	6	6D9
MPD010040S6L	1-4	20	1.2	1.4	1.3	4	0.3	30	6	6D1/6D2
MPD010100S6M	1-10	15	3.8	1.9	/	5	1.2	10	6	6D7
MPD020040S6L	2-4	17	1.3	1.6	/	7	0.8	20	6	6D1
MPD020080S6L	2-8	17	1.6	1.65	/	7	0.8	20	6	6D1
MPD020080S6M	2-8	18	1.8	1.6	1.3	6	0.4	50	6	6D1/6D2
MPD020080S6I	2-8	17	1.8	1.65	/	7	0.8	20	6	6D1/6D2
MPD020080N6I	2-8	17	1.8	1.65	/	7	0.8	20	6	6D1/6D2
MPD040080S6L	4-8	17	1.6	1.65	/	7	0.8	20	6	6D1
MPD040080N6L	4-8	17	2	1.8	/	7	0.8	30	6	6D6
MPD040085S6L	4-8.5	18	1.6	1.6	1.4	6	0.6	30	1	6D1
MPD040180S6M	4-18	16	2.2	1.8	1.5	8	0.7	30	6	6D1/6D2

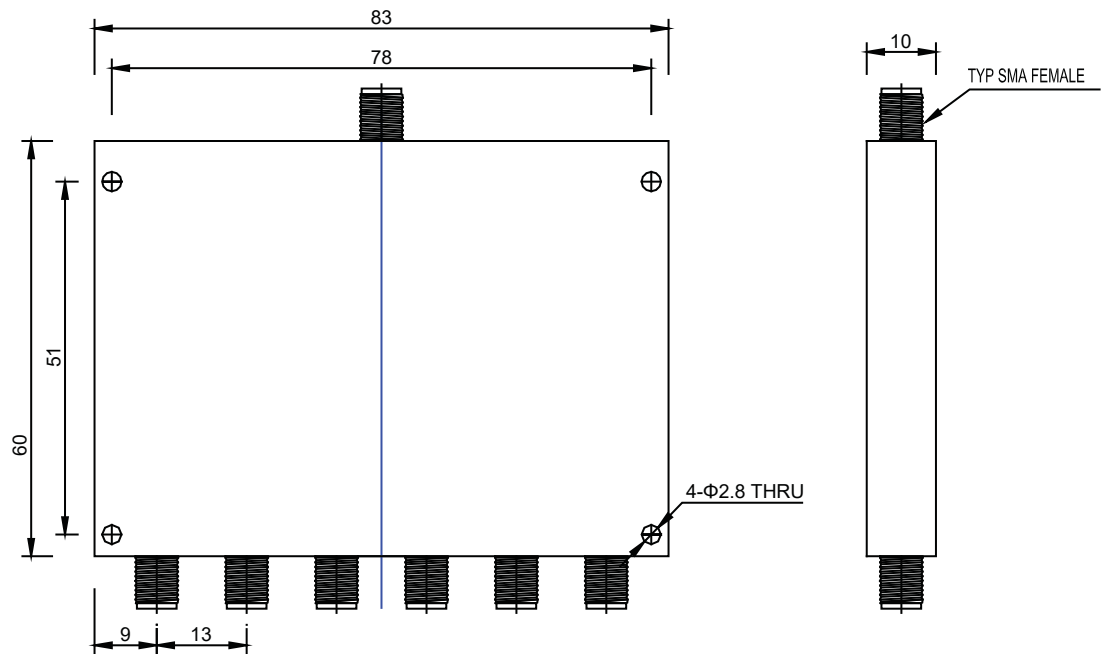


6-WAY WIDE BAND POWER DIVIDER

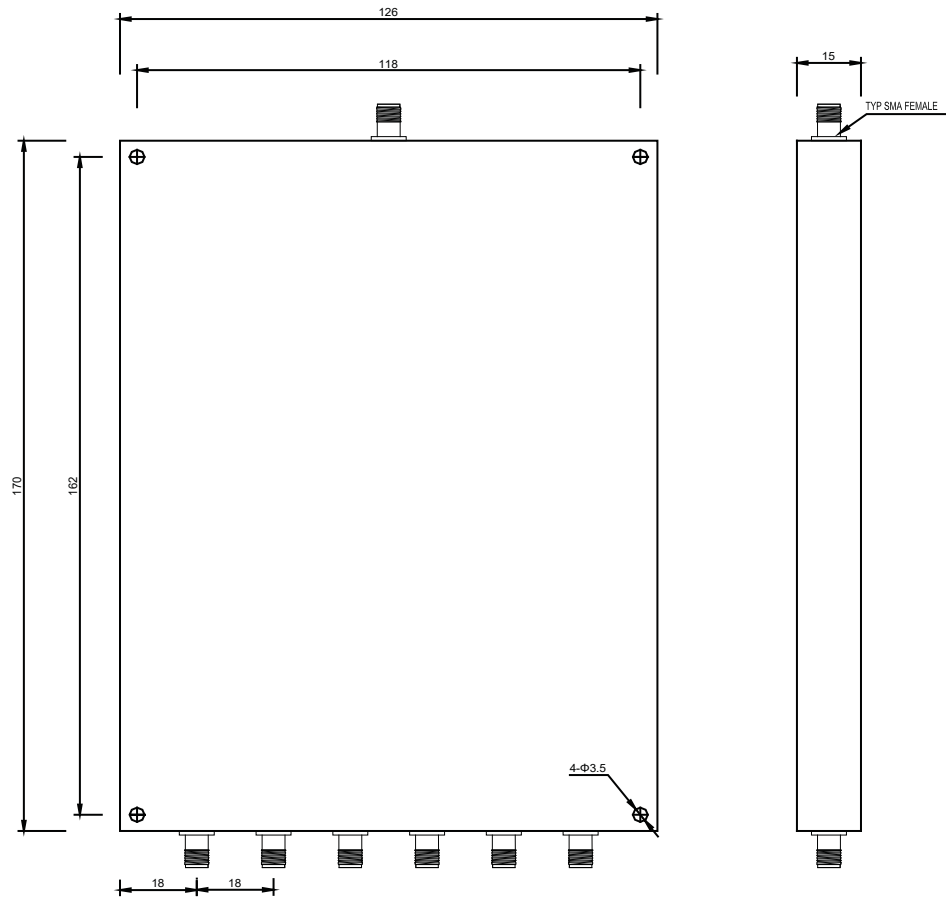
Part Number	Frequency Range (GHz)	Isolation (dB.Max)	Insertion Loss (dB)	VSWR Input (Max)	VSWR Output (Max)	Phase Balance (deg.Max)	Amplitude Balance (dB.Max)	Power Handling (W.Avg)	Way	Case Type
MPD060180S6L	6-18	16	1.6	1.7	1.6	10	0.8	30	6	6D8
MPD060180S6M	6-18	16	1.9	1.8	/	10	1	30	6	6D8
MPD060180S6H	6-18	16	1.6	1.7	1.6	10	0.8	30	6	6D8
MPD080120S6M	8-12	15	1.5	1.6	/	5	0.5	10	6	6D2
MPD080120S6L	8-12	18	1.6	1.5	1.4	8	0.8	30	1	6D8



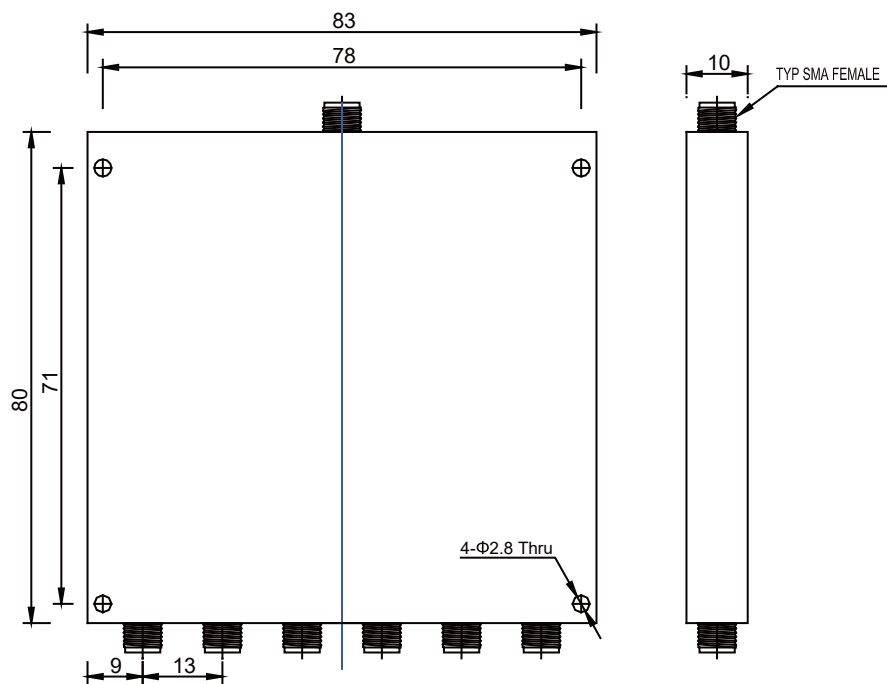
D61



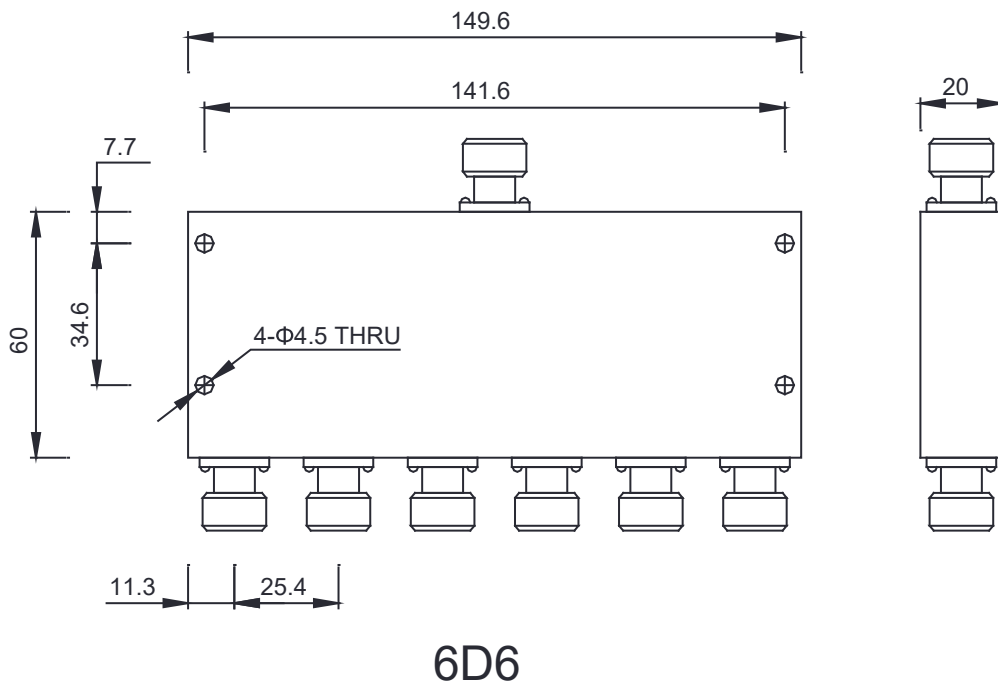
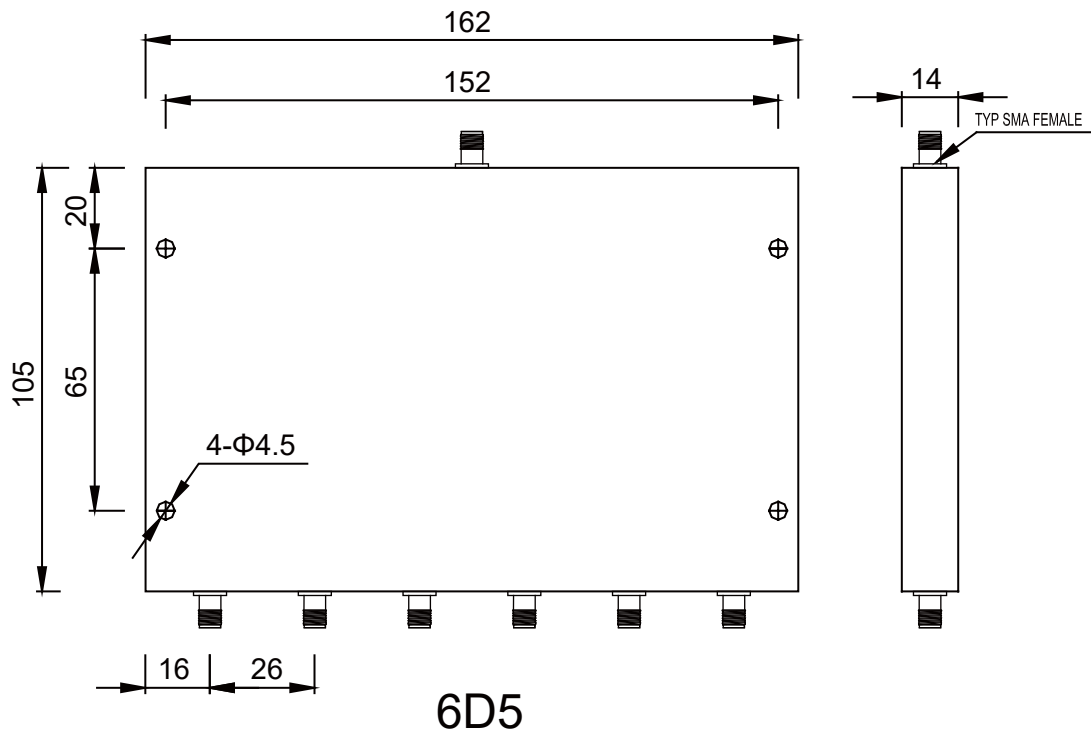
6D2

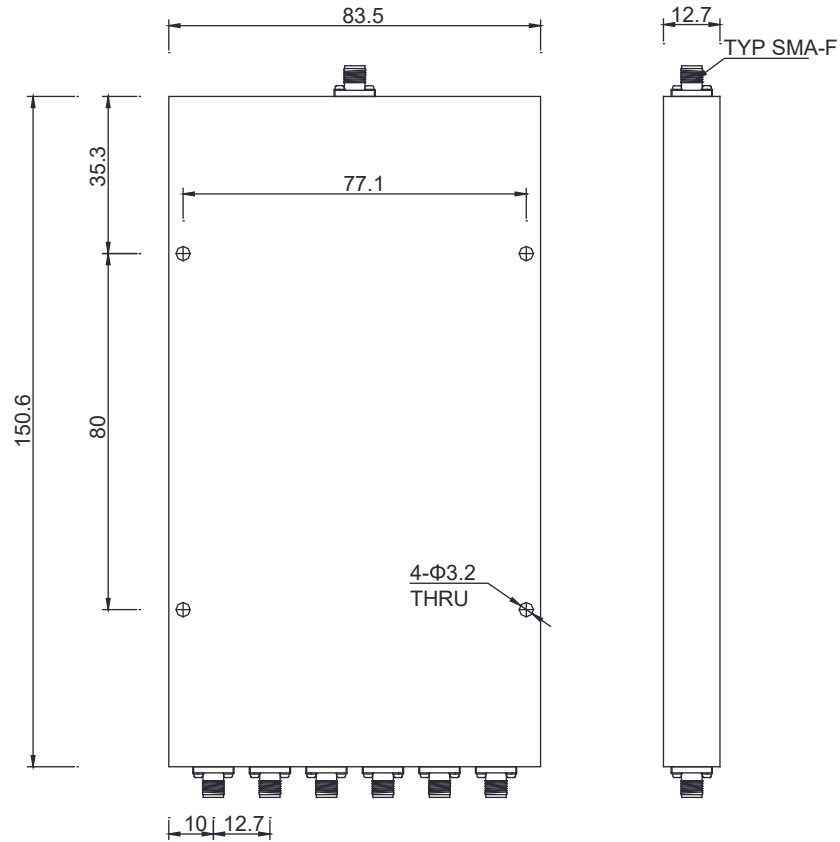


6D3

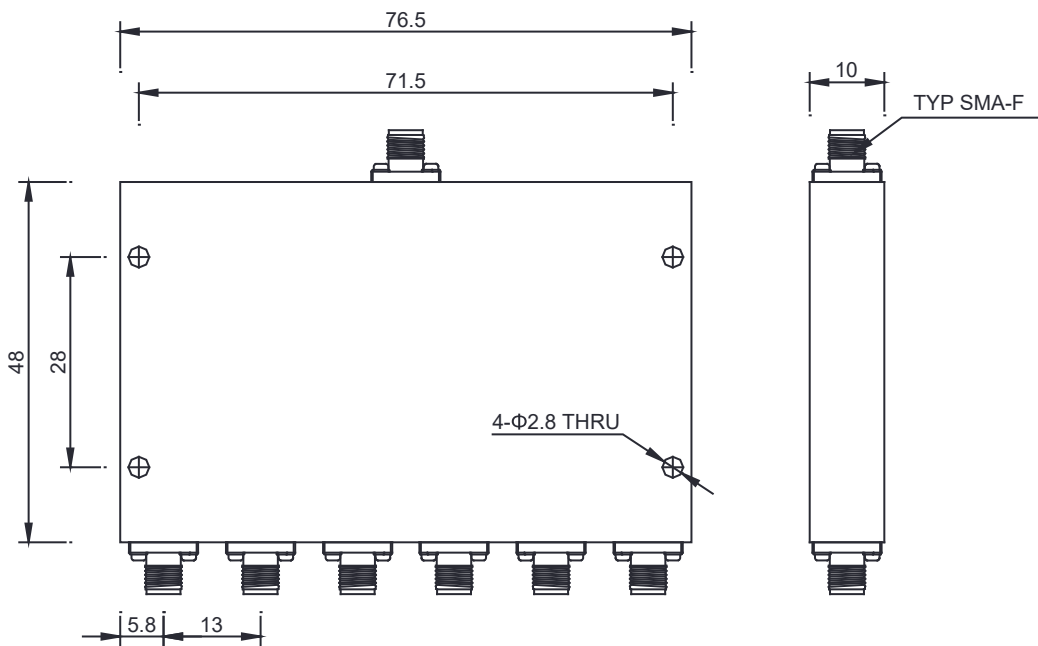


6D4

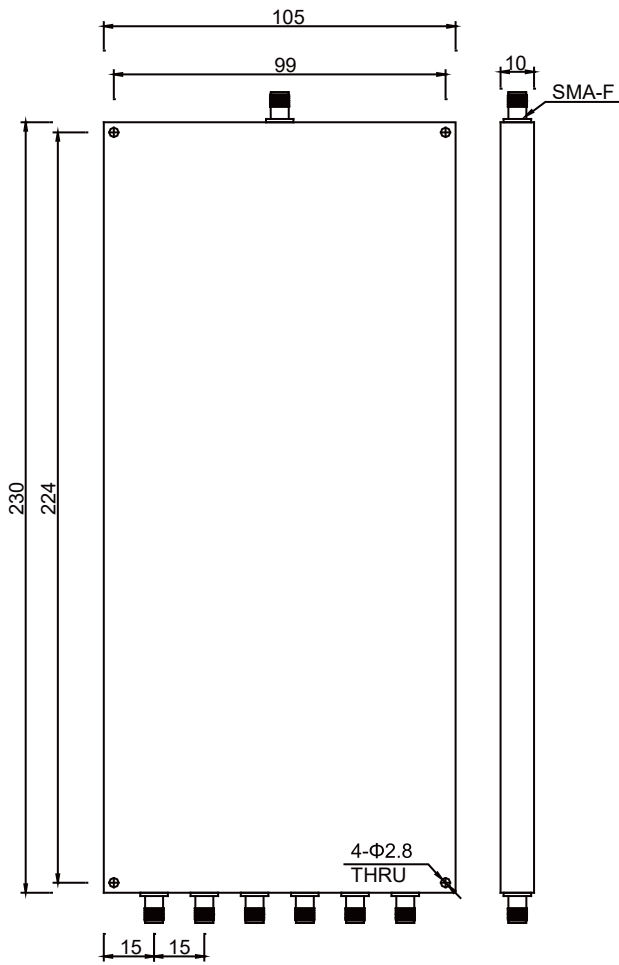




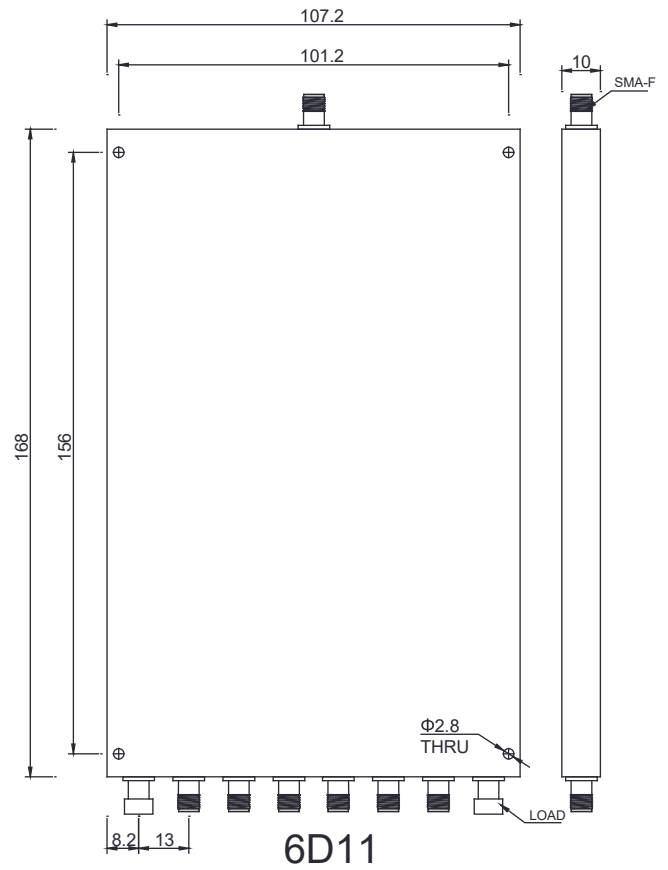
6D7



6D8



6D9



6D11